

Model # 6036-01



## PeCo Limited Warranty for New Products

### A. WHAT IS WARRANTED?

PeCo extends the following warranties to the original purchaser of each new PeCo consumer product subject to the following limitations.

#### 1. PRODUCT WARRANTY.

Any part of any consumer product, which is defective in material or workmanship as delivered to the purchaser will be repaired or replaced, as PeCo elects, without charge for parts or labor, if the defect appears within 12 months from the date of delivery of the product to the original purchaser. **ALL DEFECTIVE PARTS MUST BE RETURNED TO PECO FOR INSPECTION TO DETERMINE VALIDITY OF WARRANTY CLAIMS.** Freight and mailing charges will be borne by the customer.

#### PARTS REPLACED DURING WARRANTY.

Any new PeCo part which is furnished in performance of this warranty and is defective in material or workmanship as delivered to the purchaser will be repaired or replaced, as PeCo elects, without charge if the defect appears within 90 days from the date of installation of such part or before the expiration of the original warranty period, whichever is later.

### B. SECURING WARRANTY ADJUSTMENTS

Damaged or broken parts other than engines or batteries, must be returned to PeCo, Inc., P.O. Box 1197, Arden, NC 28704 before any warranty adjustment can be authorized. At the time of requesting warranty adjustment, the purchaser must present evidence of the date of delivery of the product. The purchaser shall pay any charge for transporting the product to and from Arden, NC.

### C. ITEMS NOT COVERED BY PECO WARRANTY.

Engines and batteries attached to PeCo products are covered under a separate warranty by the respective manufacturer.

### D. UNAPPROVED ALTERATION OR MODIFICATION.

All obligations of PeCo, Inc. under this warranty shall be terminated if products are altered or modified in ways not approved by PeCo, Inc.

### E. ACCIDENTS AND NORMAL MAINTENANCE.

The warranty covers only defective material and workmanship. It does not cover depreciation or damage caused by normal wear, accident, improper use or abuse of products. The cost of normal maintenance and normal replacement of service items such as belts, cutting blades, hoses, etc., which are not defective shall be paid for by the purchaser.

### F. NO REPRESENTATIONS ADDITIONAL WARRANTIES, DISCLAIMER.

Neither PeCo, Inc. nor any company affiliated with it makes any warranties, representations or promises as to the quality of performance of its products other than those set forth herein. Except as described above, PeCo, Inc. makes no other warranties **AND SPECIFICALLY DISCLAIMS ANY AND ALL IMPLIED WARRANTIES OF FITNESS AND MERCHANTABILITY.**

### G. ANY MACHINE USED FOR RENTAL OR COMMERCIAL PURPOSES ARE GUARANTEED FOR 45 DAYS FROM DATE OF ORIGINAL SALE ONLY.

**H. REMEDIED EXCLUSIVE.** The only remedies the purchaser has in connection with the breach or performance of any warranty on PECO, Inc. consumer products are set forth above. In no event will PECO be liable for special incidental or consequential damages.

**I. NO DEALER WARRANTY.** The selling dealer makes no warranty on his own on any item warranted by PeCo, Inc. unless he delivers to purchaser a separate written warranty certificate specifically warranting the item. The dealer has no authority to make any representation or promise on behalf of PeCo or to modify the terms of limitations of this warranty in any way.

## Outdoor Power Equipment Institute Recommendations

### WARNING TO PURCHASERS OF INTERNAL COMBUSTION ENGINE EQUIPPED MACHINERY OR DEVICES IN THE STATE OF CALIFORNIA:

The equipment which you have purchased does not have a spark arrester muffler. If this equipment is to be used on any forest covered and brush covered land or grass covered un-improved land in the state of California, the law requires that a spark arrester muffler be installed and be in effective working order. The spark arrester must be attached to the exhaust system and comply with Section 4442 of the California Public Resources Code.

1. Read the owner's manual carefully and familiarize yourself with the proper use of your attachment. Do not allow anyone who is not acquainted with the Safety Instructions to use your attachment.
2. Know the controls and how to stop quickly. **READ THE OWNER'S MANUAL.**
3. Do not allow children to operate the vehicle. Do not allow adults to operate it without proper instruction.
4. Be especially watchful of children and animals darting into the area while operating.
5. Always stop Vac engine when emptying the container. This will prevent debris from being blown in your eyes.
6. Stop towing vehicle and vac engines and remove spark plug wire before removing or replacing hose, boot, blower cone or performing any maintenance.
7. Maneuver up and down the face of slopes (not steeper than 10 degrees); never across the face of the slope.
8. It is recommended that the container be kept only half full when negotiating any slopes. Begin working on slopes when the container is empty.



### WARNING!

NEVER attempt to operate the pasture-vac unless all hoses are fastened securely in place and the collection box door is closed and latched.

### WARNING!

To avoid serious injury, perform maintenance on the vacuum collector ONLY AFTER STOPPING THE TRACTOR ENGINE AND WAITING FOR ALL MOVING PARTS TO COME TO A COMPLETE STOP. Set the parking brake. Always remove the ignition key before beginning the maintenance



### WARNING!

Do not work around the blower housing or an open trailer until you are certain that the blower fan has stopped rotating.

### WARNING!

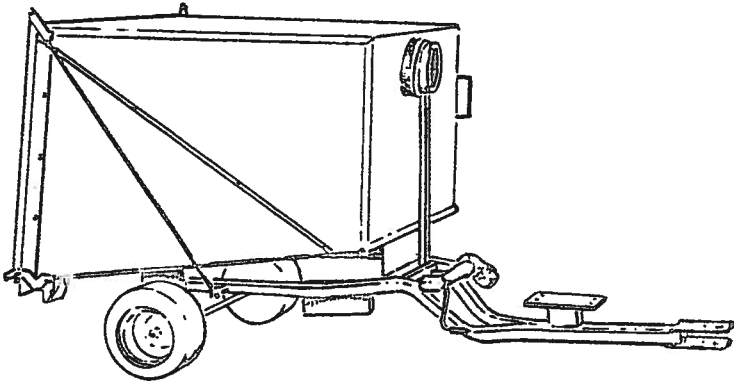
For your personal safety, ALWAYS maneuver UP and DOWN the face of slopes and NEVER across the face. NEVER attempt to negotiate excessively steep slopes and use caution when turning on any slope.

# Assembly

*PeCo*

## Step 1

Begin assembly by removing the Pasture-Vac and all accessories from the shipping pallet. Open the trailer box and unpack the engine and hardware bag.

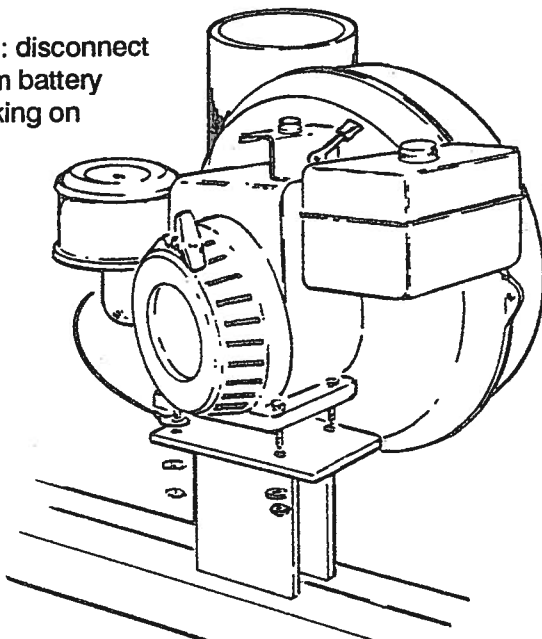


## Step 2

Place engine on mounting plate with Negative (black) cable between engine and plate (see wiring diagram page 7). Secure with four  $5/16" \times 1\ 1/2"$  all thread hex bolts, and flange nuts.

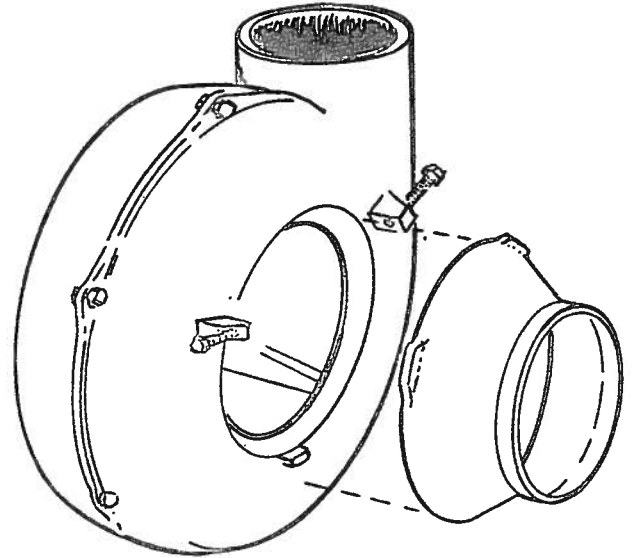
Note: Route Pos. (+) cable over top of engine and blower housing.

**WARNING:** disconnect power from battery when working on engines.



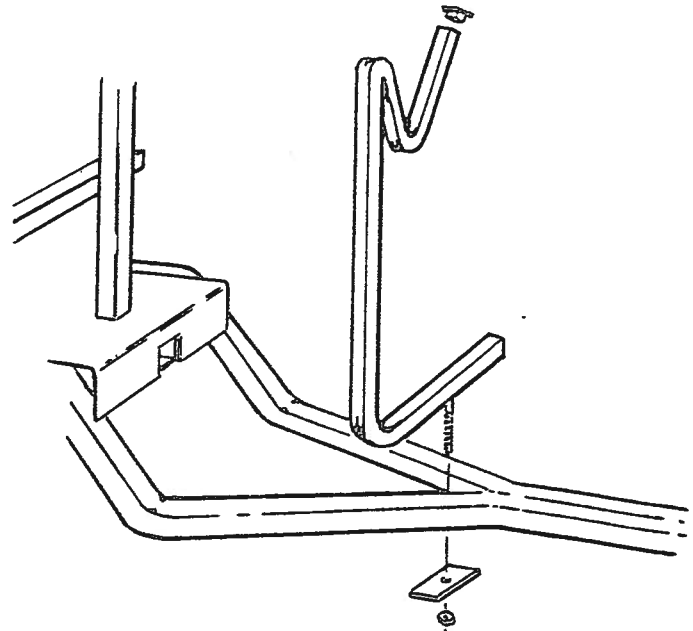
## Step 3

Attach blower cone to blower housing. Position cone so that bottom edge rests on raised tab at front of blower. Secure with two  $5/16" \times 2"$  all thread hex bolts.



## Step 4

Attach the hose hanger brackets or bracket to either the frame rails as shown below or on the Model 6036 to the box rails on the left side of the unit.

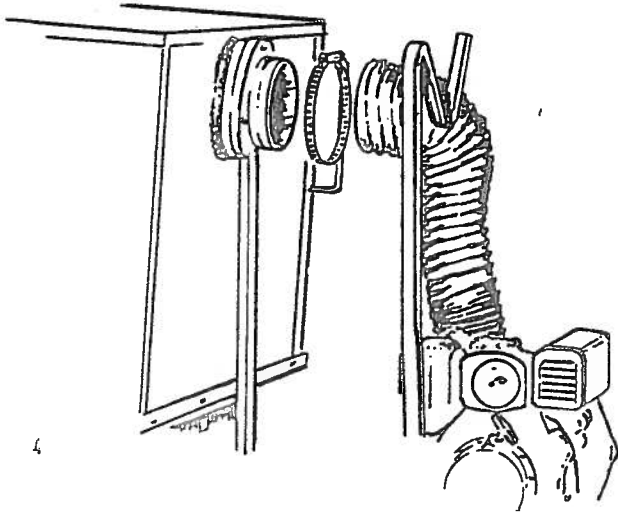


# Assembly cont.

PeCo

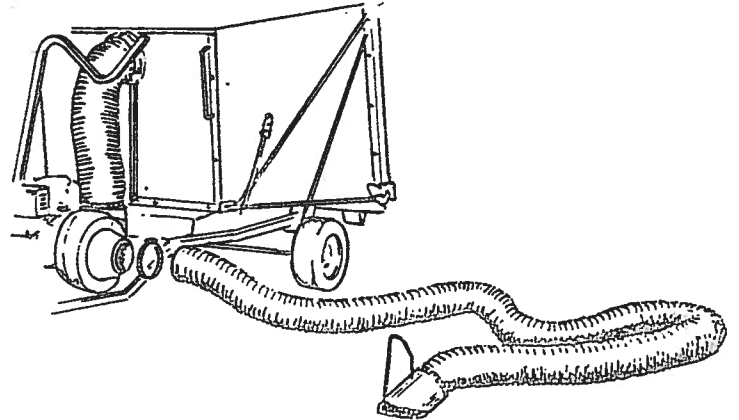
## Step 5

Place a hose clamp over each end of the 7" upper flex hose (approximately 42" long). Attach one end to top of blower housing. Slide the other end over container intake ring. Tighten clamps.



## Step 6

Place a hose clamp over each end of the 18 foot flex hose. Connect one end to the blower cone. Slide the other end of the hose over the flat end of the wand attachment. Tighten clamps.

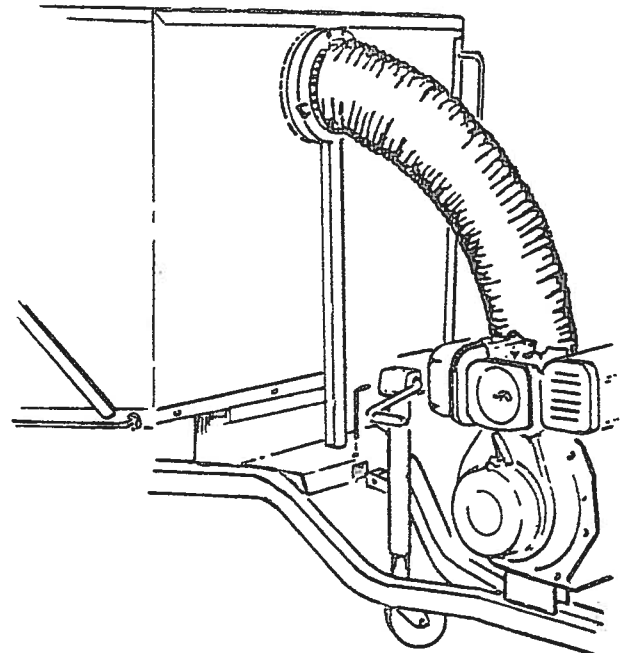
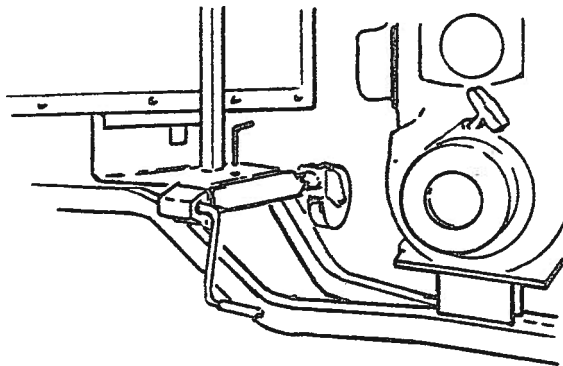


# Operation

PeCo

## Jack Stand

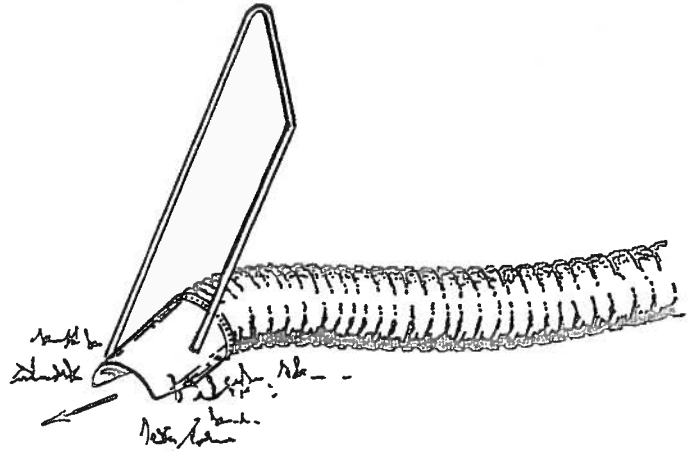
Your Pasture-Vac may be equipped with an optional jack stand. If so the unit is used by removing the lock pin, extracting the jack, rotating 90°, then reinserting and pinning.



## Wand

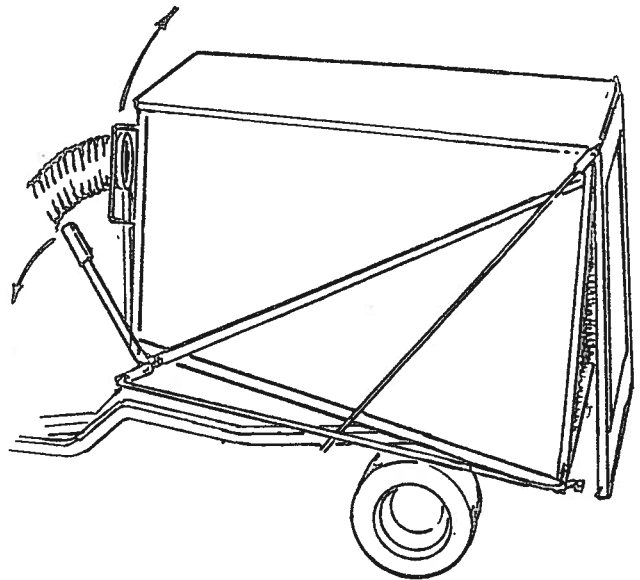
When using the wand attachment operate engine at full throttle. Hold the wand so that the beveled bottom edge is parallel to the ground as it is pushed forward in a scooping motion.

Once you become familiar with the use of the wand, move its foam pad to a position that best suites your grip. Then fasten with a small dab of adhesive.



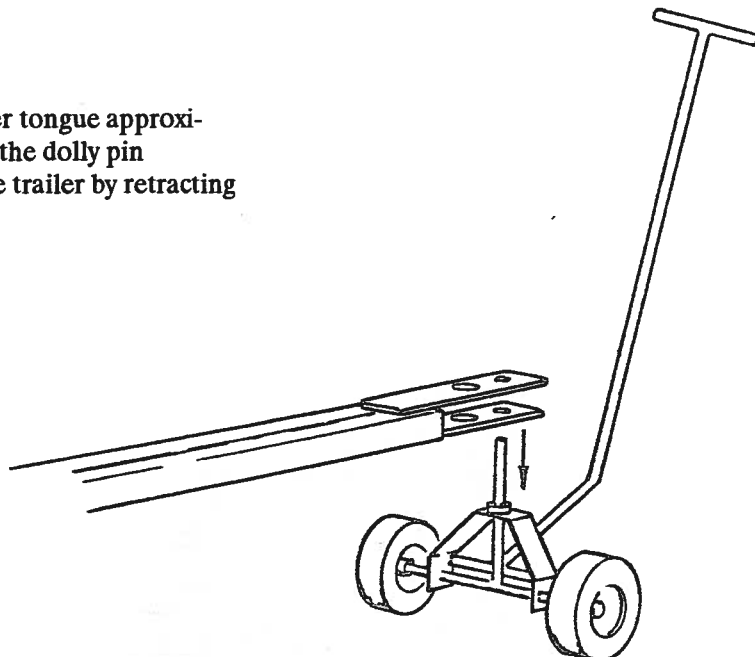
## Dumping

Before emptying the Pasture-Vac shut off the engine. Push forward and down on the dump handle and allow the trailer to tip back. Debris should slide freely from the tapered box. Return the box to its horizontal position and relatch by pulling up on the dump handle.



## Dolly

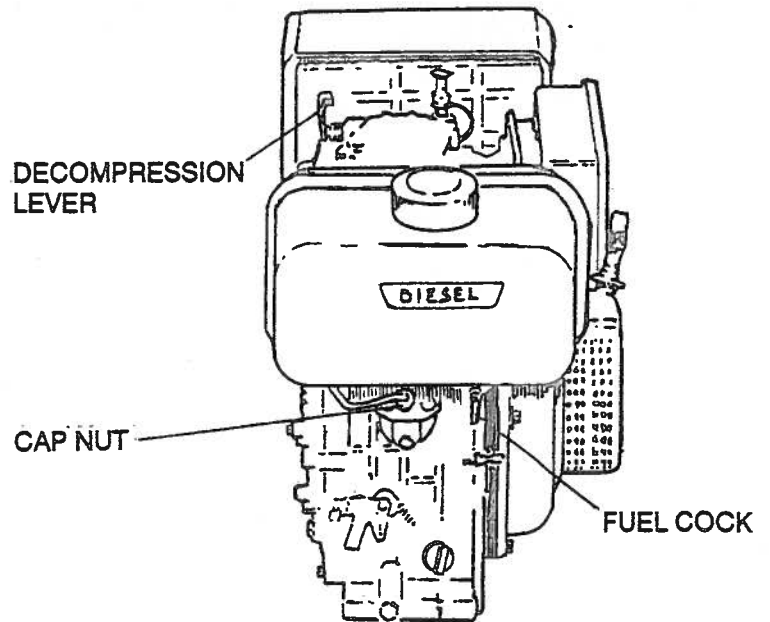
To use the optional dolly raise the trailer tongue approximately 12" with the jack stand. Position the dolly pin beneath the hitch opening and lower the trailer by retracting the jack.



## Bleeding Fuel Lines (diesel only)

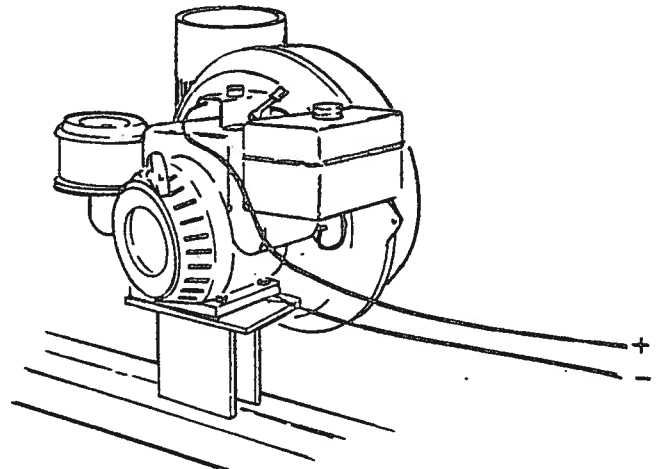
Air can enter the fuel system when the engine is first installed, or when the fuel line is removed. To remove the air bleed the system according to the following instructions.

- Place the regulator in the normal position.
- Open the fuel cock.
- Open the decompression lever.
- Loosen the cap nut (fuel injection valve side) of the high pressure fuel pipe. Make sure fuel comes out from the cap nut while pulling the recoil starter, then tighten the cap nut.



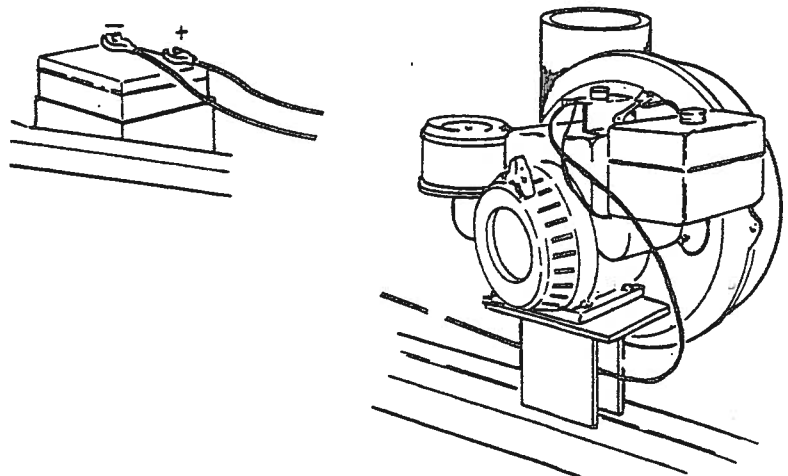
## Wiring Diagram (6036)

- Locate the large red wire lead attached to the engine panel's push start switch.
- Connect the wire to the towing vehicle's positive battery terminal.
- Locate the large black wire lead grounded to the engine mounting plate and connect the other end to the negative battery terminal.



## Wiring Diagram (6136)

- Locate the small red wire lead attached to the engine's alternator.
- Connect this wire and the positive battery cable to the open lug of the engine's push start switch. Attach the other end of the cable to the positive battery terminal.
- Locate the large black cable and connect one end to underside of the inlet ring support. Attach the other end to the negative terminal on the battery.



# Parts List



Ref. No.	Part No.	Description	Qty.
1	A0949	Door Assembly	1
2	A0474	Door Hinge Rod Assembly	2
3	B2377	Hinge Support Plate	4
4	B2268	Pivot Rod Strap	2
5	A0478	Door Pivot Rod Assembly	2
6	C0002	Box Top	1
7	C0001	Box Side (left or right)	2
8	C1181	Box Front Panel	1
9	A0469	Screen Frame Assembly	1
10	A0372	Door Handle Assembly	1
11	C1184	Fill Gage Plate	1
12	E8003	Inlet Flange 7"	1
13	J0527	Inlet Seal	1
14	A0246	Upright Assembly	1
15	A0480	Engine Stay Assembly	1
16	A0342	Hitch Pin	1
17	A0373	Engine Mount Arm	1
18	N0403	Bronze Bushing	2
19	N5001	Thrust Washer Bearing	1
20	A0441	Adjustable Tongue Assembly	1
21	J6011	Hose Clamp 6"	4
22	F1008	Flex Hose 6" x 42"	1
24	E6005	6" Cone	1
25		Engine/Blower/Blade Assembly	1
	D4003	5 HP Tecumseh	
	D4002	5.5 HP Briggs & Stratton	
	D4004	5 HP Tecumseh electric start	
	E4052A	Blower Housing	
	A0640	Impeller--4 blade	
26	A0350	Wand Assembly	1
27	—	6" x 18' Super Flex Hose	1
29	B4278	Axle	1
30	A0396	Base Frame Assembly	1
31	H5001	Wheel-15 x 6.00-3/4" bore	2
32	C1179	Box Bottom	1
33	B1418	Latch Hooks	2
34	A0475	Latch Rod Assembly	2
35	A0132	Box Frame Assembly	1
36	A0157	Door Rail Hitch-left hand	1
37	A0158	Door Rail Hitch-right hand	1
38	C7001	Latch Bearing Block	4
39	B5263	Box Side Support Rail	2
40	A0477	Latch Assembly	1
41	A08164	Hardware Bag	1
42		Electric Start Controls (optional)	





Your Pasture-Vac was designed and built to provide years of service with only minor care. Certain tasks however must be performed to keep it in good operating condition and to avoid costly repairs. This section describes and provides procedures for the necessary care of the Pasture-Vac.

## Scheduled Care

A schedule for routine care of the vacuum collector is provided. Some of the schedule requirements are based on operating hours. For this reason, it will be necessary to determine or estimate total operating time. This is easily accomplished by using an hour meter. An alternative method involves determining normal times for regular jobs. Multiply these normal times by the number of times you perform these jobs and add any unusual operating time or estimate the total operating time.

SCHEDULE	CARE REQUIRED
Before Each Use	Check engine oil. Check all hose connections.
After Each Use	Clean Collector hoses and engine of all grass and dirt.
Every 10 Hours	Check to be sure all screws, nuts, bolts, pins, etc. are present and secure.

## Storage

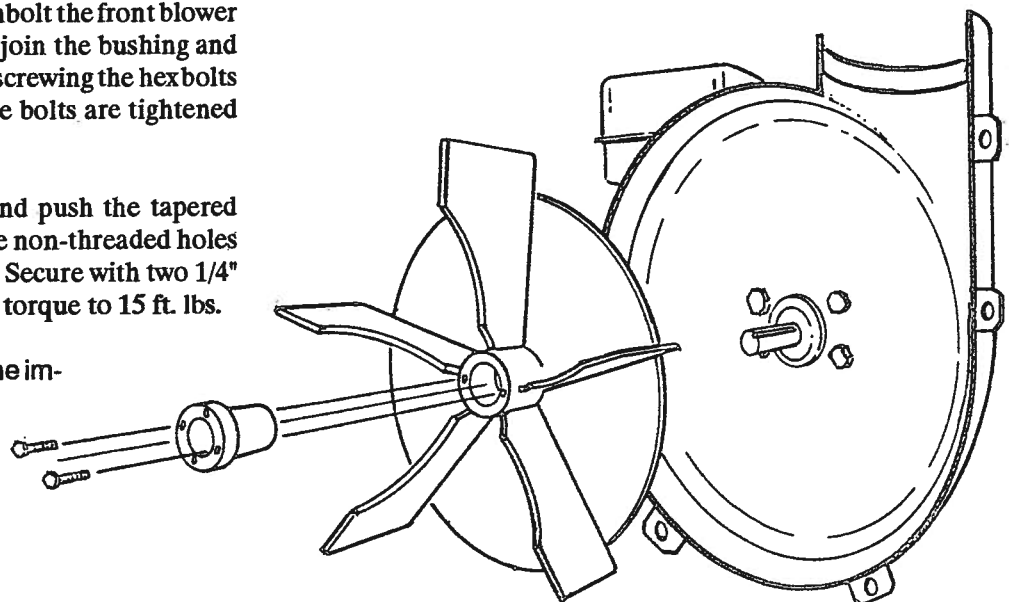
Never store your Lawn Vac with a full or partially filled container; decaying matter may constitute a fire hazard if left too long. Never leave your vac exposed to the elements. While the metal parts are protected with a quality paint, the engine and other unprotected parts may deteriorate if left exposed to rain or snow.

## Impeller Blade Replacement

To replace a worn or damaged impeller unbolt the front blower housing. Remove the two hex bolts that join the bushing and hub. Retract the bushing from the hub by screwing the hex bolts into the bushing's threaded holes. As the bolts are tightened the two pieces will be pushed apart.

Slide the new impeller over the shaft and push the tapered bushing into the hub. Be sure to align the non-threaded holes in the bushing with the holes in the hub. Secure with two 1/4" x 1" grade eight hex bolts (supplied) and torque to 15 ft. lbs.

**CAUTION:** If a hard foreign object hits the impeller, stop the engine and re-torque the bolts. The hub is designed to slip under such conditions.



## Diagnostic Procedures

Trouble shooting procedures are provided in the chart below. To use these procedures, first locate the problem description that best describes the trouble that you have encountered. Check the possible causes one at a time. Correct any problems that are found and operate the vacuum collector again to verify that you have eliminated the problem.

**DO NOT** attempt any major repairs without first contacting PeCo.

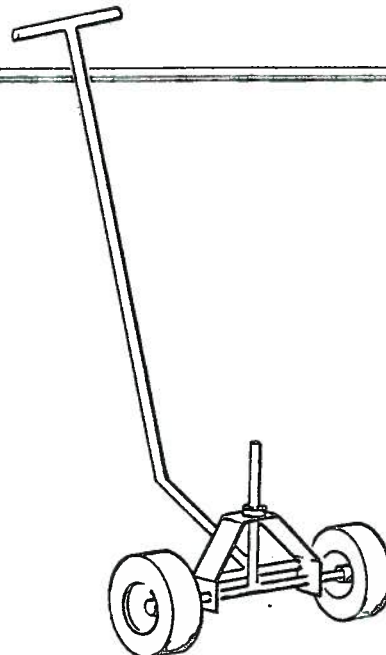
PROBLEM	CAUSE	SOLUTION
Debris not being picked up completely.	<ol style="list-style-type: none"> <li>1. Engine speed too slow</li> <li>2. Ground speed too fast.</li> <li>3. Hose plugged.</li> </ol>	<ol style="list-style-type: none"> <li>A. Run at full throttle.</li> <li>B. Use lower gear.</li> <li>C. Check and tighten all hoses.</li> <li>D. Unplug hose.</li> </ol>
Hoses plug easily.	<ol style="list-style-type: none"> <li>1. Straw or bedding too wet.</li> <li>2. Too much bedding material.</li> <li>3. Bag full.</li> <li>4. Debris buildup in wand.</li> </ol>	<ol style="list-style-type: none"> <li>A. Wait for drier conditions.</li> <li>B. Reduce wand speed/angle.</li> <li>C. Empty.</li> <li>D. Clean thoroughly.</li> </ol>
Vacuum collector blower vibrates excessively.	<ol style="list-style-type: none"> <li>1. Buildup on blower blades.</li> <li>2. Bent or chipped blade.</li> </ol>	<ol style="list-style-type: none"> <li>A. Remove cone and clean blades.</li> <li>B. Contact your dealer.</li> </ol>
Unit fails to fill box.	<ol style="list-style-type: none"> <li>1. Engine speed too slow.</li> <li>2. Buildup on inlet or screen.</li> <li>3. Grass is too wet or long.</li> </ol>	<ol style="list-style-type: none"> <li>A. Run at full throttle (3200 RPM)</li> <li>B. Clean thoroughly.</li> <li>C. Wait for dryer conditions.</li> </ol>

## Optional Dual Wheel Dolly

Make your PeCo Pasture-Vac even more versatile with the PeCo dual wheel dolly. Now you can easily maneuver your pasture-vac from stall to stall or around the barn without the use of a tow vehicle.

### Kit Number

6573 - two wheeled dolly with pneumatic tires, solid axle and tee handle



# Parts Information

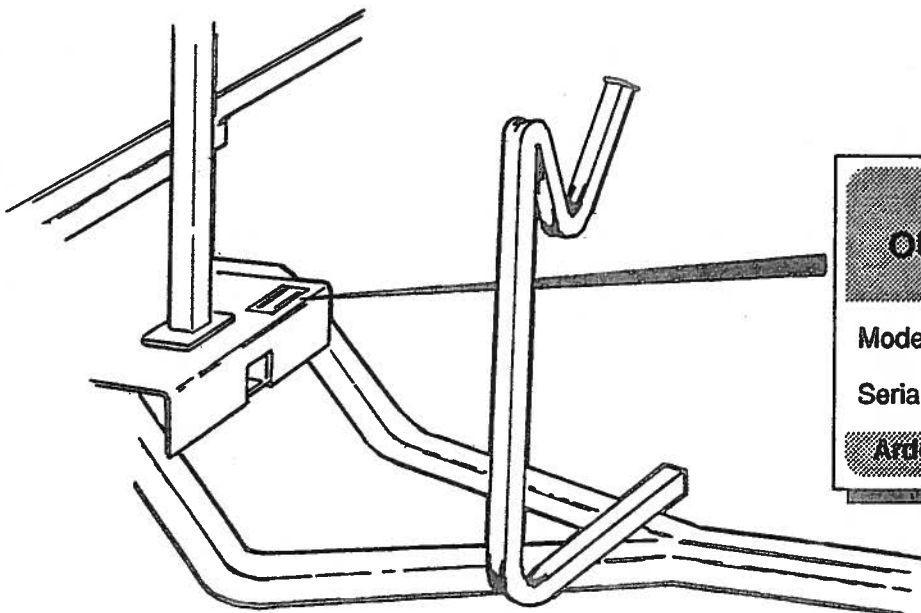


Please record the information below at the time of purchase.

For replacement parts, contact PeCo 1-800-438-5823. To insure receiving the correct parts, please have the following information ready for the PeCo Service Representative.

Trailer Model:	_____
Engine Size:	_____
PeCo Vac Model:	006036-01
Vac Serial Number:	_____
Date of Purchase:	____/____/____
Dealer Name:	_____
Dealer's City:	_____
State:	_____
Zip:	_____
Phone Number:	_____

PeCo Inc., P.O. Box 1197, Arden, NC 28704  
1-800-438-5823 in NC 704-684-1234



**PeCo**  
**OUTDOOR POWER EQUIPMENT**

Model Number	_____
Serial Number	006036-01

Arden, North Carolina 28704 (704)684-1234