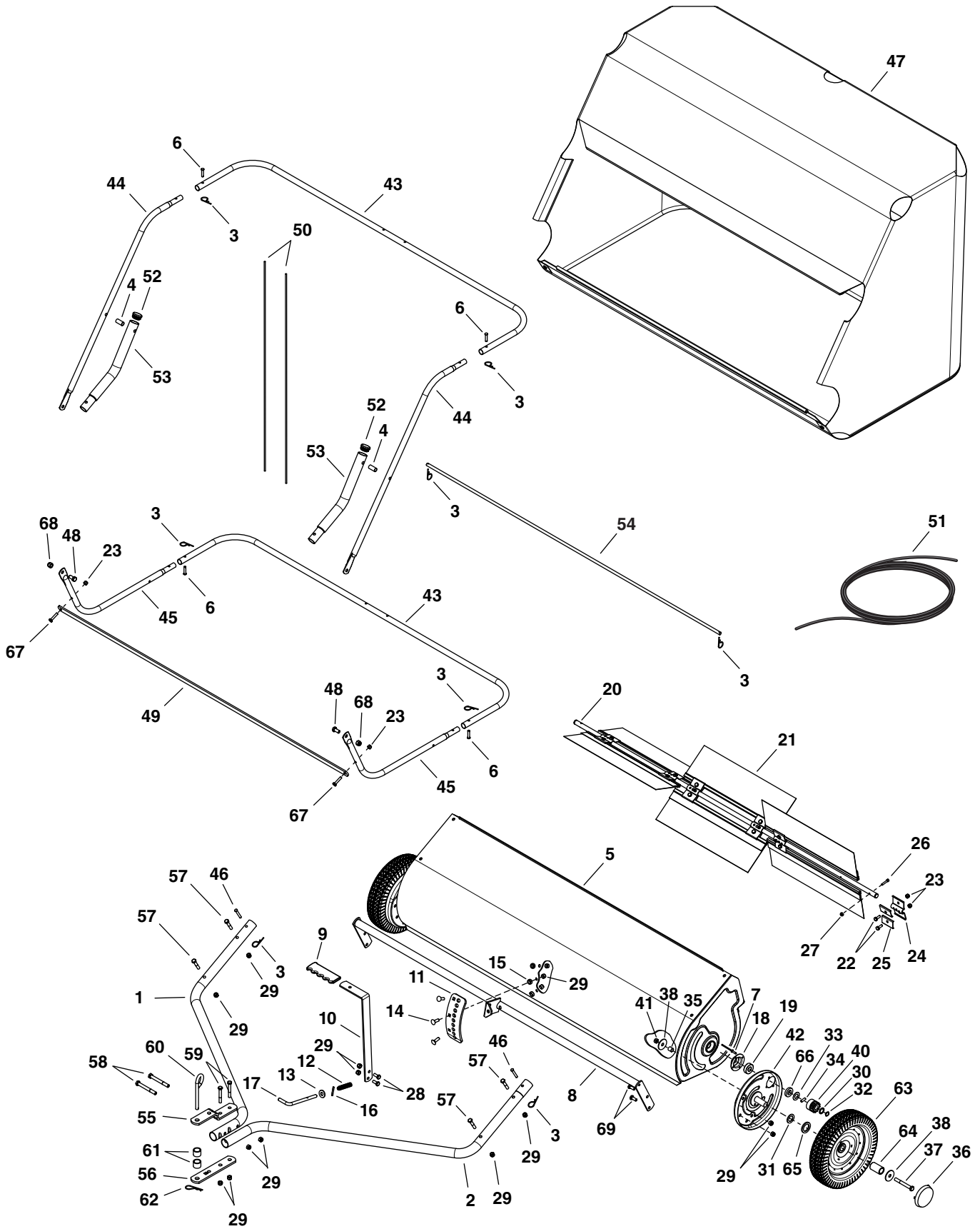


REPAIR PARTS FOR MODEL 45-0522 - 52" LAWSWEEPER



REPAIR PARTS FOR MODEL 45-0522 - 52" LAWSWEEPER

| REF | PART NO. | QTY | DESCRIPTION | REF | PART NO. | QTY | DESCRIPTION |
|-----|----------|-----|-------------------------------------|-----|----------|-----|-------------------------------------|
| 1 | 28184 | 1 | Hitch Tube, R.H. | 36 | 2674-32 | 2 | Hub Cap |
| 2 | 28183 | 1 | Hitch Tube, L.H. | 37 | 43574 | 2 | Bolt, Hex 3/8-16 x 3" Lg. |
| 3 | 43055 | 8 | Hairpin Cotter, 3/32" | 38 | 141 | 4 | Washer, Flat 1-1/2" x .375" x .062" |
| 4 | 42563 | 2 | Spacer, .375" x .50" x 1.07" | 39 | 2692-6 | 1 | Gear, Pinion R.H. (not shown) |
| 5 | 68688BLK | 1 | Housing Assembly | 40 | 2692-7 | 1 | Gear, Pinion L.H. |
| 6 | 48365 | 4 | Clevis Pin, 1/4" x 1-1/8" | 41 | 42210 | 2 | Nut, Nylock Jam 3/8-16 |
| 7 | C-9M5732 | 6 | Rivet, Pop | 42 | 68691 | 2 | Ass'y, Dust Cover |
| 8 | 68689 | 1 | Height Adjustment Assembly | 43 | 28194 | 2 | Hopper Frame (Rear) |
| 9 | 43943 | 1 | Grip | 44 | 49765 | 2 | Upper Hopper Frame (Front) |
| 10 | 25537ORG | 1 | Handle, Height Adjustment | 45 | 48726 | 2 | Lower Hopper Frame (Front) |
| 11 | 25531ORG | 1 | Bracket, Height Adjustment | 46 | 46867 | 2 | Pin, Clevis 1/4" x 1-3/4" Lg. |
| 12 | HA2394 | 1 | Spring | 47 | 41445 | 1 | Hopper Bag |
| 13 | 43070 | 1 | Washer, .438" x 1" x .083" | 48 | 43407 | 2 | Bolt, Hex 3/8-16 x 3/4" |
| 14 | 44326 | 3 | Bolt, Carriage 5/16-18 x 1" | 49 | 28193 | 1 | Strap, Bag Frame |
| 15 | 23625 | 3 | Spacer, .380" x .62" x .27" | 50 | 43938 | 2 | Rod, Hopper Support |
| 16 | 44665 | 1 | Pin, Roll 5/32" x 1-1/4" | 51 | 43737 | 1 | Hopper Rope |
| 17 | 49608 | 1 | Pin, Height Adjustment | 52 | 47674 | 2 | Plug |
| 18 | 1629-56 | 2 | Retainer, Dust Cover | 53 | 28196 | 2 | Tube, Bag Arm |
| 19 | 44232 | 2 | Ball Bearing | 54 | 28195 | 1 | Rod, Hopper Bag |
| 20 | 28197 | 1 | Brush Shaft | 55 | 23687 | 1 | Bracket, Hitch |
| 21 | 45252 | 6 | Brush, 52" | 56 | 24192 | 1 | Bracket, Hitch (Straight) |
| 22 | 43012 | 12 | Bolt, Hex 1/4-20 x 3/4" Lg. | 57 | 43084 | 4 | Bolt, Hex 5/16-18 x 1-3/4" Lg. |
| 23 | 47189 | 14 | Nut, Nylock 1/4-20 Thread | 58 | 46782 | 2 | Bolt, Hex 5/16-18 x 3" Lg. |
| 24 | 23580 | 6 | Retainer, Brush (Double) | 59 | 43224 | 2 | Bolt, Hex 5/16-18 x 2-1/4" Lg. |
| 25 | 23581 | 12 | Retainer, Brush (Single) | 60 | 23353 | 1 | Pin, Hitch |
| 26 | 49954 | 6 | Bolt, Hex 10-32 x 1" Lg. | 61 | 23368 | 2 | Tube, Hitch Spacer |
| 27 | 47171 | 6 | Nut, Nylock 10-32 | 62 | 43343 | 1 | Hairpin Cotter, 1/8" |
| 28 | 43182 | 2 | Bolt, Hex 5/16-18 x 3/4" Lg. | 63 | 40113 | 2 | Wheel & Tire (includes item #64) |
| 29 | 47810 | 17 | Nut, Nylock 5/16-18 Thread | 64 | 40109 | 2 | Bushing, Bronze |
| 30 | 44006 | 2 | Washer, Flat .849" x .598" x .025" | 65 | HA4143 | 2 | Washer, 1.04" x 1.5" x .145" |
| 31 | 1540-31 | 2 | Washer, Flat .78" x 1.25" x .062" | 66 | 23520 | 2 | Spacer, .660" x .250" x .250" L |
| 32 | 42094 | 2 | Ring, Retaining .562" ID | 67 | 1509-90 | 2 | Bolt, Hex 1/4-20 x 1-1/4" |
| 33 | 40001 | 8 | Washer, Shim 1.125" x .595" x .020" | 68 | HA21362 | 2 | Nut, Nylock 3/8-16 |
| 34 | 47046 | 2 | Dowel Pin (Drive) | 69 | 43814 | 4 | Screw, 5/16-18 x 3/4" Lg. |
| 35 | 48866 | 2 | Spacer, .38" x .50" x .53" | | 41446 | 1 | Owners Manual |

SpeedPart *the fastest way to purchase parts* www.speedepart.com