



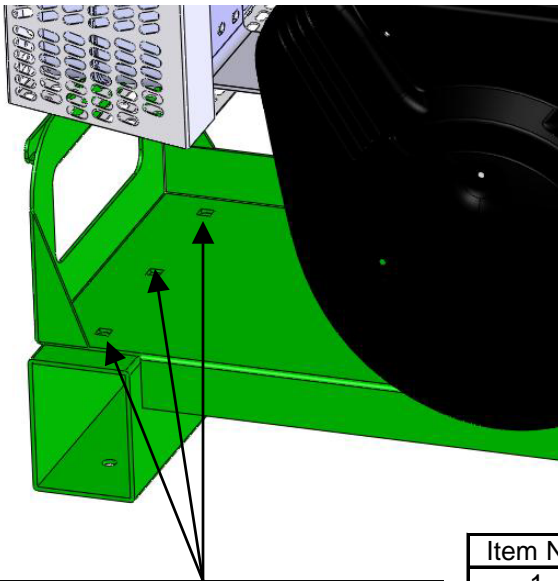
DL HANGING KIT 812260

BILLY GOAT DEBRIS LOADER

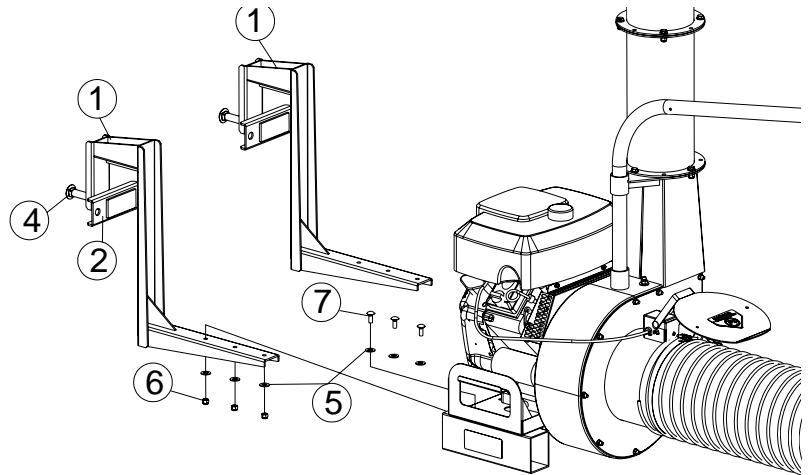
FOR DL MODELS 12/13/18

ASSEMBLY

1. Slide the brackets (item 1) into the large square tubes on the base of the machine. Then attach it using the hardware (items 5,6 and 7) and tighten the hardware securely. **Note:** Attach the machine to the brackets using all three holes on both sides, not doing so could damage the machine and the mounting surface.
 2. Run the large carriage bolts (item 4) out far enough so there is enough space for the clamps (item 2) to clear the mounting surface.
 3. Using two people lift the machine and set it on the mounting surface, then tighten the carriage bolts so that the machine is secure. **Note:** Over-tightening the carriage bolts may damage the mounting surface.
- IMPORTANT:** After 1 hour of use make sure to check the tightness of the clamps. DO NOT transport with the hose secured. It is the responsibility of the user to insure that the Debris Loader is hung from a mount that supports the weight of the machine sufficiently.



Attach the hanging brackets to the base with the hardware here



Item No.	Part No.	Description	Qty
1	812261	HANGER WA DL12/13/18	2
2	812262	HANGER CLAMP WA DL 12/13/18	2
3	8059138	SCREW MACHINE #10-24 X 1" HWF ZP	2
4	812268	BOLT CARRIAGE 3/4-10 X 6"	2
5	440227	WASHER 1.00" OD X 0.380 SQ HOLE	12
6	8160003	NUT LOCK 3/8"-16 HEX	6
7	8024058	BOLT CARRIAGE 3/8"-16 X 1" ZP	6
8	8155007	NUT LOCK #10-24 HEX	2