



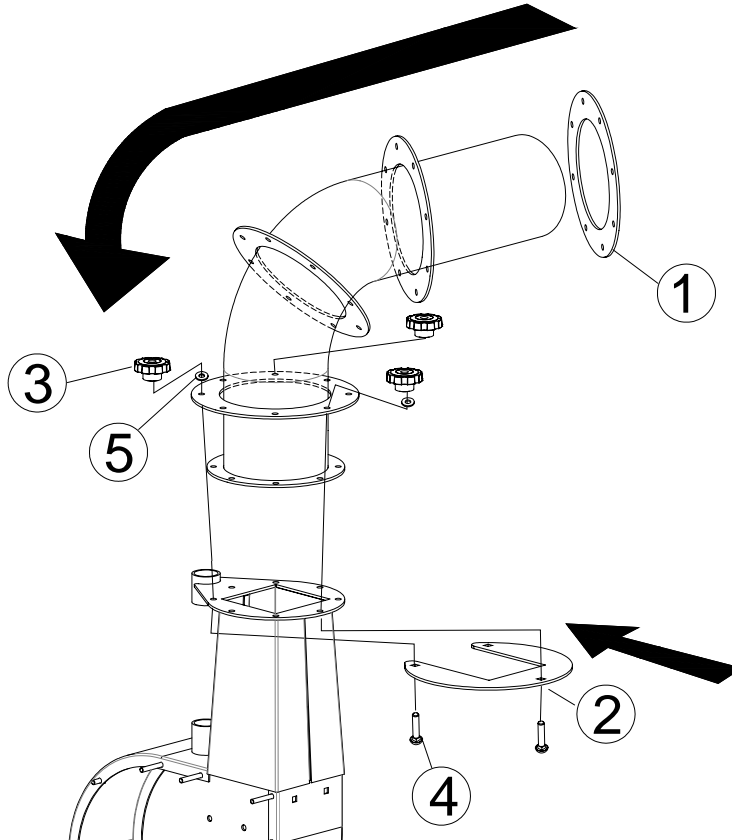
DL ROTATION KIT 812332

## BILLY GOAT DEBRIS LOADER

FOR DL MODELS 12/13/18

### ASSEMBLY

1. Shut off the machine and remove the spark plug wire
2. Remove the hardware holding the elbow.
3. Slide the lower flange (item 2) under the exhaust chute flange.
4. Place the upper flange (item 1) on by sliding it over the open end of the exhaust and then down until it rests at the bottom of the exhaust.
5. Run the carriage bolts up from the bottom flange through the upper flange, then place a washer and a knob on the carriage bolt and tighten securely before use.
6. Re-attach the spark plug wire.



Item No.	Part No.	Description	Qty
1	812331	FLANGE UPPER EXHAUST ROTATE	1
2	812330	FLANGLE LOWER EXHAUST ROTATE	1
3	811230	KNOB 3/8-16	3
4	8024066	BOLT CARRIAGE 3/8"-16 X 3"	3
5	610308-P	WASHER 2.25" OD X .515" ID X .134" ZP	3