

SWEEP-ALL

B Y T U R F M A S T E R I N D U S T R I E S

OPERATOR'S MANUAL

HM-1548

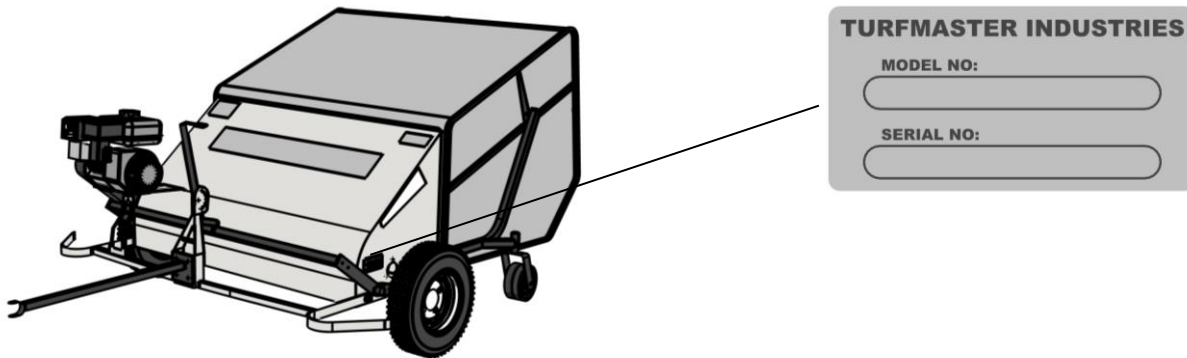


INTRODUCTION

The Sweep-All attachment clears and collects materials including gravel, aeration plugs, stones, garbage, lawn clippings, leaves, and branches.

This manual contains important safety, warranty, operating and maintenance information for HM-1548 models. Become familiar with the contents to avoid personal injury and product damage. Keep a record of your model and serial numbers so that they are at the ready should your unit require service.

Model & Serial Numbers



Record your model and serial numbers below for your records:

Model No. _____

Serial No. _____

SAFETY INSTRUCTIONS

Do not operate the sweeper until you have read and understand the safety decals and operating instructions.

Operating Safety

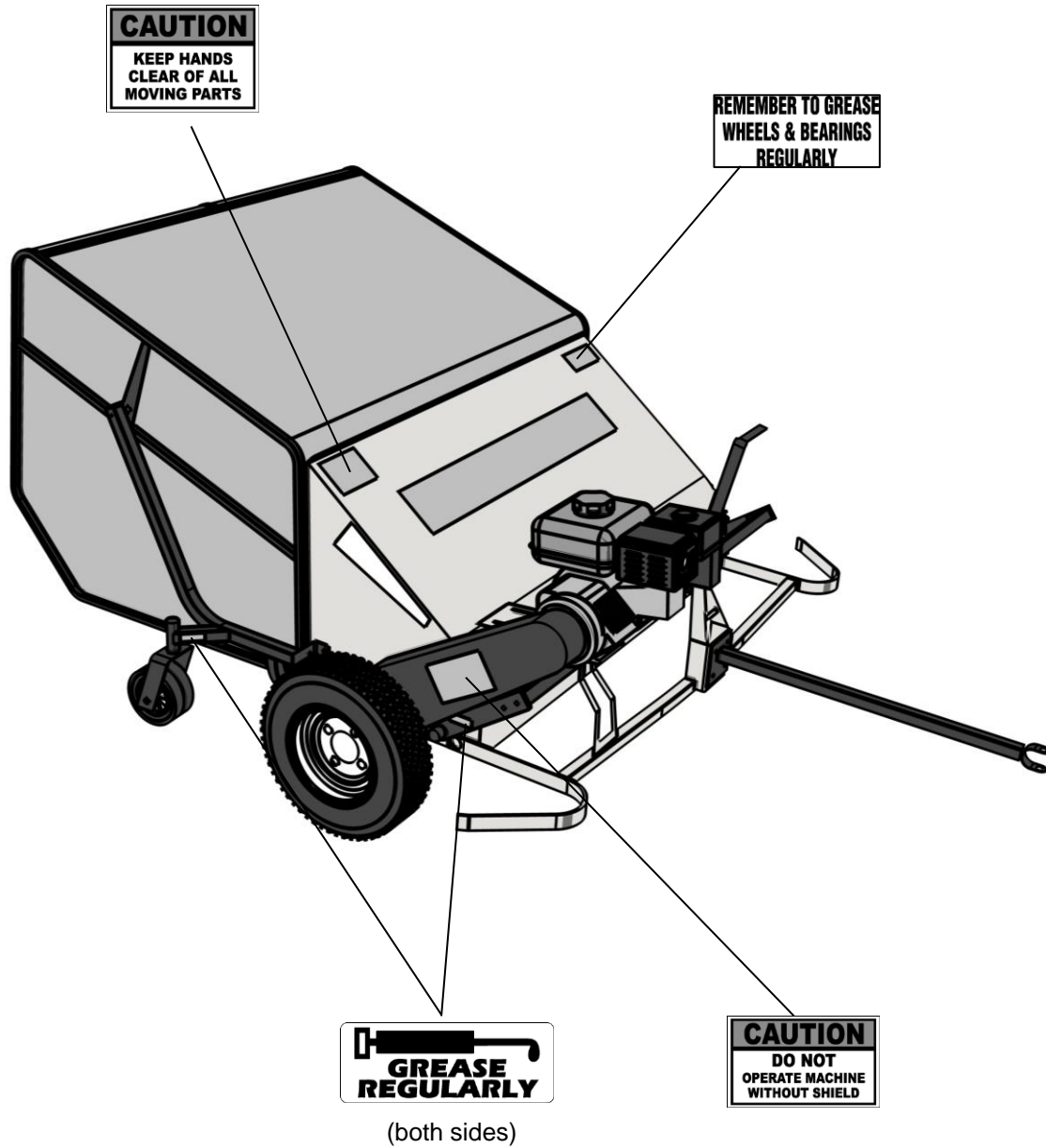
- Keep all safety decals clean and legible at all times. Replace damaged or missing decals.
- Keep all shields and guards in place and in good order at all times.
- Make sure the area is clear of people before operating.
- Do not operate unit except when in the operator's station of the power unit.
- Do not permit any riders.
- Make sure unit is stopped and keys are out of the power unit before servicing, adjusting, or repairing.
- Inspect and clean the brush and shroud before operating.
- Do not operate sweeper in raised position.
- Keep hands, feet and clothing away from moving parts.
- Ensure all controls are in neutral before starting power unit.
- Never allow children to operate the unit.
- Never operate the unit while under the influence of drugs or alcohol.
- Wear proper shoes and safety apparel.
- Use caution on slopes.
- Use caution when backing up and preparing to dump.
- Keep bystanders clear of the dumping area.

Transport Safety

- Do not transport on a public road without a slow moving vehicle sign and flashers on the power unit.
- Make sure unit is in raised position during transport and is stable when driving.

Safety and Instruction Decals

Take note of the locations of all the safety and instruction decals. Keep all safety decals clean and legible at all times. Replace damaged or missing decals.



WARRANTY

Turfmaster Ind. Inc. products are warranted for a period of 1 year (12 months) from the original date of purchase by the original owner. Products are warranted to be free from defects in material and workmanship under normal intended use and service of the equipment.

Turfmaster's obligations under this warranty shall be limited to the repair or replacement of the part at Turfmaster's option, when it is deemed defective by Turfmaster. Turfmaster reserves the right to repair or replace the defect. At Turfmaster's discretion, the defect may be repaired on site or at the production plant. Warranty is limited to the price received for the product. Turfmaster is not liable for any accidental or consequential damages whatsoever including expense of substitute equipment. Turfmaster Ind. has no express warranties other than those described in this warranty. Descriptions of goods included in catalogues, circulars, or any other published material does not create an implied warranty.

Maintenance, tune-ups, lubrication, cleaning, and other operating expenses are to be paid by the owner.

Warranty Claims

Warranty Claims must be submitted within 30 days of the failure. All warranties must be approved by Turfmaster. Labour will be credited at a rate determined by Turfmaster.

Turfmaster Industries Inc.
Box 1416 Winkler MB
R6W 4B4
P: 1-204-331-3082
F: 1-204-331-3087

Exclusions

- Damage caused by third part post-production parts or accessories not approved by Turfmaster.
- Normal noise, vibration, deterioration, wear and tear
- Shipping costs
- Wear on consumable parts such as brushes, chains, sprockets, baskets, and bodies of the unit
- Damage caused by alterations made without written approval by Turfmaster Ind.
- Damage caused by abusive, negligent, or reckless operation.
- Failures caused by outside influences including but not limited to weather, storage and improper maintenance.

Sweep-All Series Warranty Registration, Turfmaster Industries Inc.

Certificate # _____

Date Purchased _____

Issued To

Name _____

Street _____

City _____

Province / State _____

Postal Code / Zip Code _____

Model Number _____

Serial Number _____

Customer Signature _____

Sweep-All Dealer

Name _____

City _____

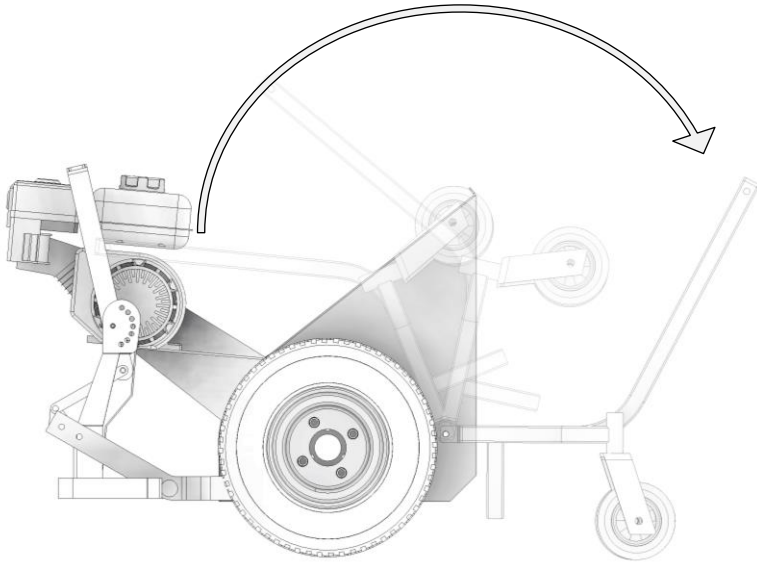
Province / State _____

Dealer Signature _____

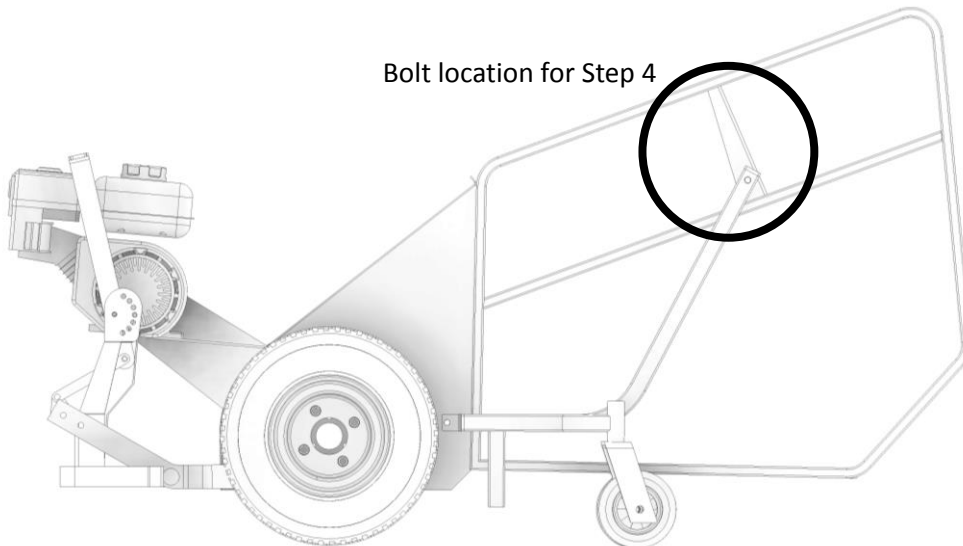
ASSEMBLY

If the HM 1548 was shipped in a crate, follow the instructions below to assemble the unit:

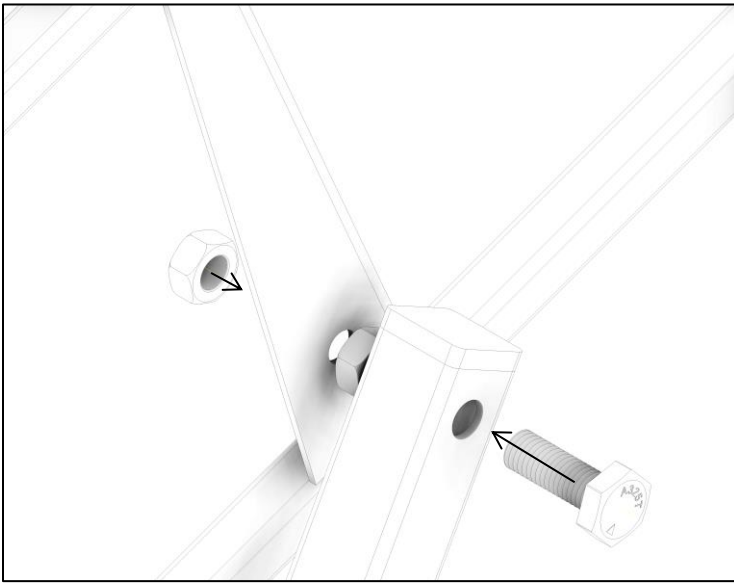
1. Carefully remove and detach the unit from the crate, removing all packaging. Lift the hopper and rest it behind the unit.
2. Rotate the rear wheel assembly so the wheels rest on the ground.



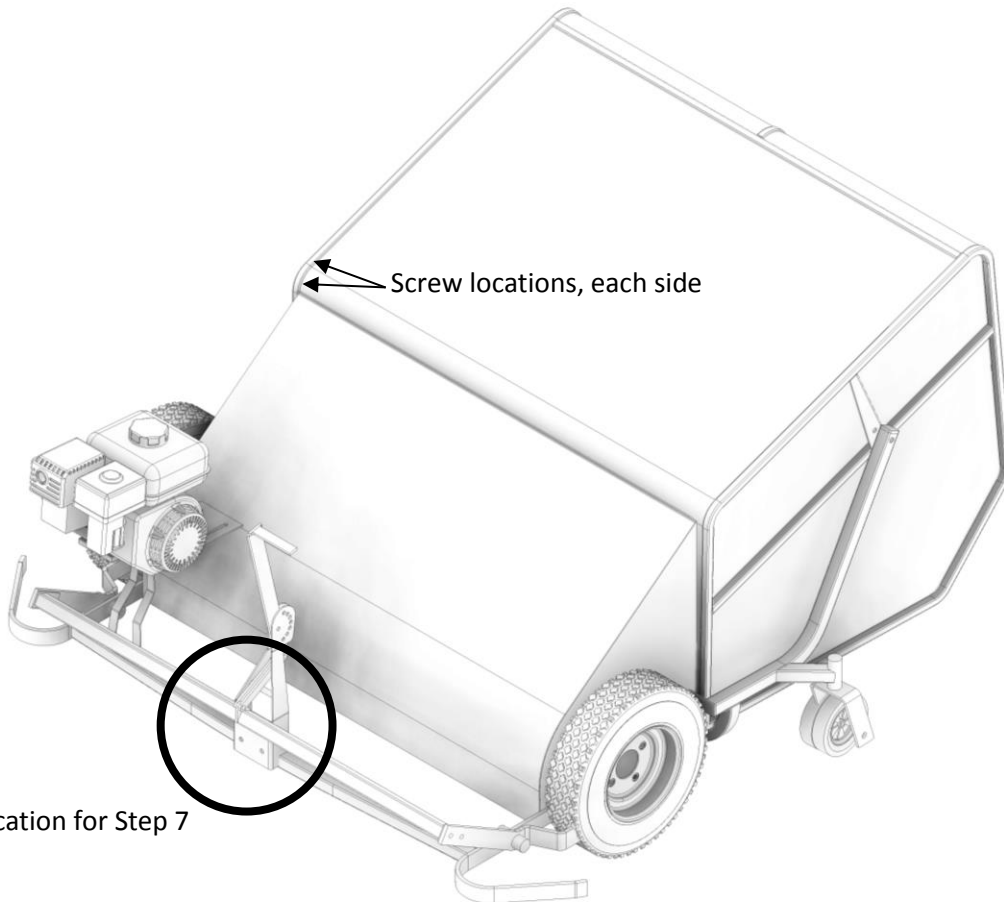
3. Rest the hopper in place.



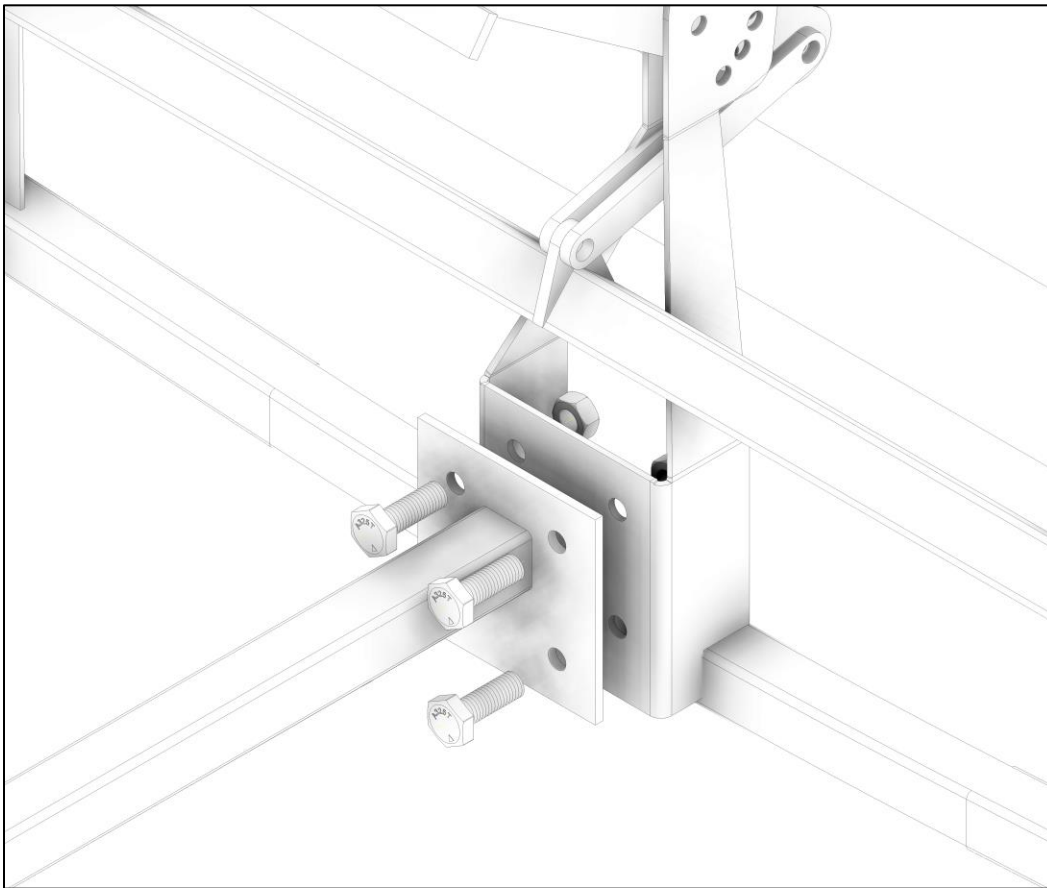
4. Fasten the hopper with the provided nuts and bolts as shown on each side.



5. Attach the canvas to the hopper frame with the attached Velcro.
6. Fasten the canvas to the hopper frame on each side as shown with the screws provided.



7. Fasten the hitch.



CONNECTING TO THE POWER UNIT

- Back the tractor slowly to the front of the sweeper, lift the sweeper hitch to the tractor hitch, insert the hitch pin and secure.

FIELD USE PREPARATION

Park the unit on level ground with the sweeper slightly raised.

- Check the oil level in the gear box.
- Grease all wheels and bearings according to the maintenance section.
- Check all bolts and hardware as per maintenance section.
- Clear the working area of all foreign objects and make sure all bystanders are clear before starting.

OPERATION

Operating Parameters

The sweepers are designed to be towed by a tractor, quad, ATV, gator, etc.

For sweeping grass clippings, leaves and other debris, adjust the brush so that it is approximately half way into the grass. For de-thatching and removing gravel, keep the brush approximately ½" off of the soil.

WARNING: Do not lower the brush too far into the soil. Doing so will over-torque and burn out the gear box clutch. This damage is not covered by warranty.

Operating Procedures

- Adjusting the brush height determines how aggressively you will clean the area. Use the handle to set your brush.
- When the basket is full, stop the sweeper. Drive to the dump area and raise the basket (using rope) until it is completely emptied of debris. Lower the basket and resume clean-up.
- Do not lower the brush so low that the bristles bend.

DISCONNECTING & STORING

Park the unit on level ground and clean the sweeper. Always store the unit in a dry, clean environment.

MAINTENANCE

Service & Maintenance Safety

- Stop engine, set brake and remove key before servicing.
- Block up unit before working beneath unit.
- Replace all shields and guards before operating.
- Use 10W30 synthetic oil in the motor and gear box.

Gear Box

- The gear box is not filled with oil at the factory. Fill the gear box with SAE-90 oil.
- Check oil level approximately every 40 hours of use.

Lubrication

- Grease spindles and wheels after every 8 hours of use.
- Grease wheel bearings so that grease squeezes out of the wheel hub.
- Clean all grease nipples before greasing. Replace if damages occurs.
- Check all guards and shields, making sure they are secure. Replace or repair damaged components.
- Check brushes and housing. Clean if required so that it does not plug up.
- Check all bolts periodically.