

Tanaka®


GB OWNER'S MANUAL
FR MODE D'EMPLOI
ES MANUAL DEL PROPIETARIO

GB ▶ BACKPACK BLOWER
FR ▶ SOUFFLANTE DORSALE
ES ▶ SOPLADOR DE MOCHILA

TBL7800/7800R

⚠ WARNING ⚠

The engine exhaust from this product contains chemicals known to the State of California to cause cancer, birth defects or other reproductive harm.

⚠ AVERTISSEMENT ⚠

Les échappements du moteur de ce produit contiennent des produits chimiques connus par l'Etat de Californie comme étant responsables de cancers, d'anomalies congénitales et d'autres atteintes à l'appareil reproducteur.

⚠ ADVERTENCIA ⚠

Los gases de escape del motor de este producto contienen sustancias químicas conocidas por el Estado de California como causantes de cáncer, malformaciones en recién nacidos y otros problemas de reproducción.

⚠ WARNING ⚠

Before using our products, please read this manual carefully to understand the proper use of your unit.


⚠ AVERTISSEMENT ⚠

Avant d'utiliser cette ce produit, veuillez lire attentivement ce manuel afin de bien comprendre le bon fonctionnement de cet84 appareil.

⚠ ADVERTENCIA ⚠

Antes de usar nuestros productos, lea detenidamente este manual a fin de familiarizarse con el uso correcto de este aparato.

SAFETY FIRST

Instructions contained in warnings within this manual and warning seals marked with a  symbol on the blower concern critical points which must be taken into consideration to prevent possible serious bodily injury, and for this reason you are requested to read all such instructions carefully and follow them without fail.

Note that there may be times when warning seals peel off or become soiled and impossible to read. If this happens, you should contact the dealer from which you purchased the product to order new seals and affix the new seal(s) in the required location(s).



■ NOTES ON TYPES OF WARNINGS

WARNING

Instructions labeled as shown at left, concern critical steps or procedures which must be followed in order to prevent accidents which could lead to serious bodily injury or death. This mark is used to indicate instructions which must be followed without exception.

IMPORTANT

Instructions labeled as shown at left concern steps or procedures which, if not followed correctly, could lead to mechanical failure, breakdown, or damage.

NOTE

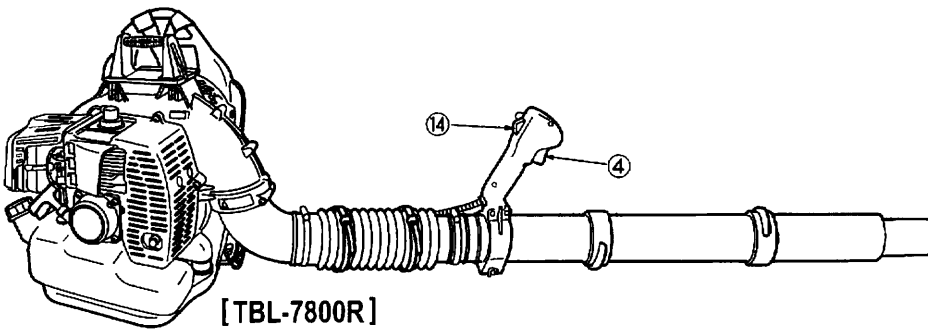
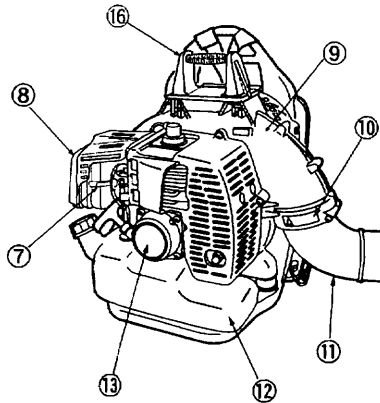
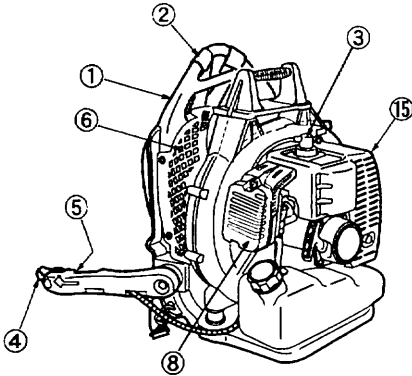
Used to label supplementary instructions designed to provide hints or directions useful in the use of the product.

Contents

1. Parts location	4
2. Specifications.....	4
3. Warning labels on the machine	6
4. Symbols on the machine	6
5. For safe operation.....	8
6. Set up	20
7. Fuel	22
8. Operation	28
9. Maintenance	32
10. Storage	40
11. Troubleshooting guide	42

1. Parts location

1. Frame
2. Shoulder Strap
3. Spark Plug Cap
4. Throttle Lever
5. Stop Switch (behind)
6. Net
7. Choke Lever
8. Air Cleaner
9. Volute Case
10. "CAUTION" Label
11. Elbow
12. Fuel Tank
13. Recoil Starter
14. Ignition Switch
15. Engine Cover
16. Carrying handle



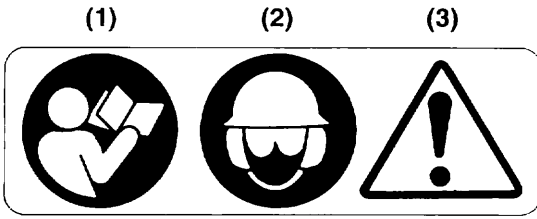
2. Specifications

MODEL TBL7800/7800R

Dimensions (L x W x H) mm (in)	
TBL7800	371x487x495 (14.6x19.1x19.4)
TBL7800R	371x464x495 (14.6x18.3x19.4)
Dry Weight kg (lbs)	10.5 (23.2)
Fuel Tank Capacity liter (fl. oz)	2.1 (71)
Engine Type	Air cooled 2-cycle gasoline engine
Piston Displacement cm ³ (cu. in)	64.9 (3.96)
Air Filter	2-stage fresh flow filter system
Carburetor (Diaphragm) valve type	Rotary
Ignition System	Digital ignition
Spark Plug	NGK CMR7H (Noise-proof)
Muffler	Spark arrester equipped
Operating Engine Speed rpm	2000 to 7000
Fuel Consumption liter/h (fl. oz/h)	1.9 (64.3)
Average Air Volume (w/std Pipe) cu. m/min (cfm)	16.2 (572)
Max. Air Volume (w/o Pipe) cu. m/min (cfm)	23.1 (816)
Max. Air Velocity m/sec (mph)	90 (201)
Durability Period hrs.	300
Noise Level (50 Feet ANSI B175. 2002) dB(A)	77

Specifications are subject to change without notice.

3. Warning labels on the machine



- (1) Read owner's manual before operating this machine.
- (2) Wear head, eye and ear protection.
- (3) Handling this machine improperly could result in accidents causing serious injury or death. Read this manual carefully and practice using the blower until you are fully acquainted with all operations and have learned to use it correctly.

! IMPORTANT

If warning label peel off or become soiled and impossible to read, you should contact the dealer from which you purchased the product to order new labels and affix them in the required location(s).

! WARNING

Never modify your machine.
We won't warrant the machine, if you use the remodeled machine or you don't observe the proper usage written in the manual.

4. Symbols on the machine

For safe operation and maintenance, symbols are carved in relief on the machine. According to these indications, please be careful not to make a mistake.



(a)

- (a) The port to refuel the "MIX GASOLINE"
Position: FUEL TANK CAP



(b)

- (b) The direction to close the choke
Position: INTAKE CUP



(c)

- (c) The direction to open the choke
Position: INTAKE CUP

Tanaka IMPORTANT ENGINE INFORMATION	
TANAKA KOGYO CO.,LTD.	
THIS ENGINE MEETS U.S. EPA PH2 AND 2006 CALIFORNIA EMISSION REGULATIONS FOR SI SORE's. COMPLIANCE PERIOD : CATEGORY A	
ENGINE FAMILY NAME : 6KZXS.065BE;EM	
ENGINE DISPLACEMENT : 65cc	
REFER TO OWNER'S MANUAL FOR MAINTENANCE SPECIFICATIONS AND ADJUSTMENTS. 00	
U.S. PAT. NO. 6.112.708	6.298.811
6.289.856	

▲ 5. For safe operation



▲ WARNING

1. Read this Blower Owner/Operator Manual carefully. Be sure you understand how to operate this unit properly before you use it. Failure to do so could result in serious injury.
2. Be sure to keep this manual handy so that you may refer to it later whenever any questions arise. Also note that you are requested to contact the dealer from whom you purchased the product for assistance the event that you have any questions which cannot be answered herein.
3. Always be sure to include this manual when selling, lending, or otherwise transferring the ownership of this product.
4. Do not lend or rent your machine without the owner's manual.
5. Be sure that anyone using your unit understands the information contained in this manual.
6. Never let a child under 13 years old use the machine.

■ WORKING CONDITION

1. Refrain from operating the blower if you are tired, ill, or upset, or if you are under the influence of alcohol, drugs or medication.
2. To reduce the risk of hearing loss associated with sound level(s), hearing protection is required.
3. To reduce the risk of injury associated with thrown objects, always wear eye protection and foot protection. Eye protection should meet the requirements of ANSI Z87.1.
4. To reduce the risk of injury associated with the inhalation of dust, use a face filter mask in dusty conditions.
5. Wear sturdy rubber-soled shoes or shoes with some other form of anti-slip protection to help protect you against falling.
6. To reduce the risk of injury associated with objects being drawn into air intake and rotating parts, do not wear loose clothing, scarves, neck chains, unconfined long hair, and the like.
7. Prolonged use of a blower, exposing the operator to vibrations and cold may produce whitefinger disease (Raynaud's phenomenon), which symptoms are tingling and burning sensations followed by loss of color and numbness in the fingers. All factors which contribute to whitefinger disease are not known, but cold weather, smoking diseases or physical conditions as well as long periods of exposure to

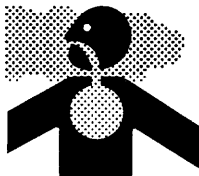
⚠ 5. For safe operation



vibration are mentioned as factors. In order to reduce the risk of whitefinger disease, the following precautions are strongly recommended;

- a) Keep your body warm. Never use blower during rains.
- b) Wear thick anti-vibration gloves.
- c) Take more than 5 minutes of break in warm place frequently.
- d) Maintain a firm grip at all times, but do not squeeze the handles with constant, excessive pressures.
- e) If you feel discomfort, redness and swelling of your fingers or any other part of your body, see a doctor before getting worse.

8. The ignition system of your unit produces an electromagnetic field of a very low intensity. This field may interfere with some pacemakers. To reduce the risk of serious or fatal injury, persons with pacemaker should consult their physician and the pacemaker manufacturer before operating this tool.



■ WORKING CIRCUMSTANCE

1. To reduce the risk of injury associated with exhaust fume inhalation, do not operate in unventilated area. The exhaust gases contain harmful carbon monoxide.
2. Avoid using the blower where stable footing and balance are not assured.

■ AVOID NOISE PROBLEM

⚠ IMPORTANT

Check and follow the local regulations as to sound level and hours of operations for blower.

1. Operate power equipment only at reasonable hours-not early in the morning or late at night when people might be disturbed. Comply with times listed in local ordinances.
2. To reduce sound levels, limit the number of pieces of equipment used at any one time.
3. Operate power blowers at the lowest possible throttle speed to do the job.

▲ 5. For safe operation

4. Check your equipment before operation, especially the muffler, air intakes and air filters.

■ WORKING PLAN

- When planning your work schedule, allow plenty of time to rest. Limit the amount of time over which the product is to be used continuously to somewhere around 30 ~ 40 minutes per session, and take 10 ~ 20 minutes of rest between work sessions. Also try to keep the total amount of work performed in a single day under 2 hours or less.

■ FUEL

▲ WARNING

To reduce the risk of fire and burn injury:



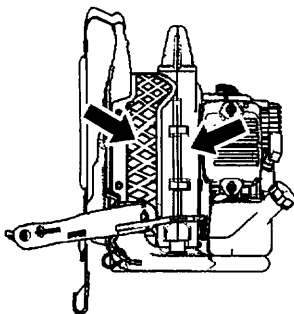
- a) Handle fuel with care. It is highly flammable.
- b) Do not smoke while handling fuel.
- c) Do not refuel a hot engine.
- d) Do not refuel a running engine.
- e) Avoid spilling fuel or oil. Always wipe unit dry before using.
- f) Move at least 10 ft. (3 meters) away from the fueling point before starting engine.
- g) Always store gasoline in a container approved for flammable liquids.
- h) Make sure the unit is properly assembled and in good operating condition.

■ BEFORE STARTING THE ENGINE

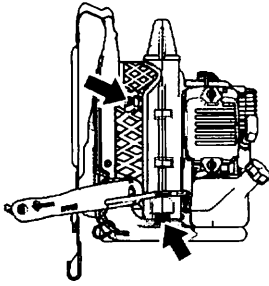
- Each time before starting the engine, inspect the entire unit to see if every part is in good order and is securely tightened in place. If any damage is found in the fuel line, the exhaust line, or the ignition wiring, do not use the blower until it has been repaired.

! IMPORTANT

Before starting operation, always make sure to check if any obstacles are left inside the volute case and net. The obstacles may cause damage on fan and volute case and serious injury.



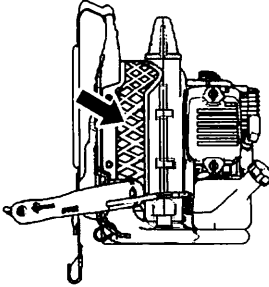
▲ 5. For safe operation



▲ WARNING

Check to see if the shock-absorbing rubber mount has become cracked or otherwise damaged. **Note that failing to replace this rubber mount when it has become cracked or damaged may cause the engine to come loose from its frame during use, thus resulting in possible serious bodily injury.**

If cracked, be sure to replace without delay.



▲ WARNING

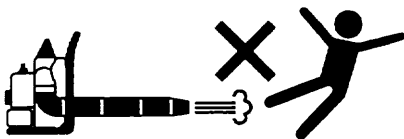
To reduce the risk of injury associated with contacting rotating parts, stop the engine before installing or removing attachments. **Do not operate without net in place.** Always disconnect the spark plug before performing maintenance or accessing movable parts.



■ USING THE PRODUCT

1. Check the work area that the blower will be used in and remove or cover all valuables that may be damaged by the air blast or thrown debris.
2. To reduce the risk of injury associated with thrown objects.

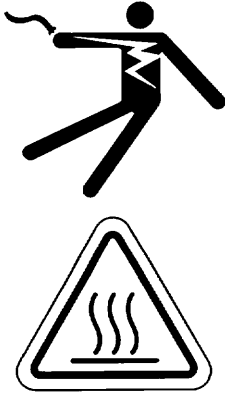
- a) Watch out for children, pets, open windows or freshly washed cars, and blow debris safely away.
- b) Use the full blower nozzle extension so the air stream can work close to the ground.
- c) Do not allow bystanders in work area.
- d) Do not point the blower tube in the direction of people or pets.
- e) Always check to be sure that no debris has been blown onto someone else's property.
- f) Pay attention to the direction of the wind, do not work against the wind.
- g) Never point a blower tube toward an open flame to avoid the possibility of igniting the unit, causing injury to yourself or damage to surroundings.



3. To minimize blowing time.

- a) Use rakes and brooms to loosen debris before blowing.
- b) In dusty conditions, slightly dampen surfaces or

⚠ 5. For safe operation



use mister attachment when water is available.
 c) Conserve water by using power blowers instead of hoses for many lawn and garden applications, including areas such as gutters, screens, patios, grills, porches and gardens.

4. Never to touch the spark plug or plug cord while the engine is in operation. Doing so may result in being subjected to an electrical shock.
5. Never to touch the muffler, spark plug, other metallic parts of the engine or engine cover while the engine is in operation or immediately after shutting down the engine. These metallic parts and engine cover reach high temperatures during operation and doing so could result in serious burns.
6. After using blowers and other equipment, **CLEAN UP!** Dispose of debris in trash receptacles.



■ MAINTENANCE

1. In order to maintain your product in proper working order, perform the maintenance and checking operations described in the manual at regular intervals.
2. Always be sure to turn off the engine and disconnect the spark plug before performing any maintenance or checking procedures.

⚠ WARNING

The metallic parts and engine cover reach high temperatures immediately after stopping the engine.

3. Examine the blower at intervals for loose fasteners and rusted or damaged parts. Use special care **around the fuel line, the muffler, and the ignition wiring.**
4. All engine service except for those described in this manual should be performed by competent service personnel. Improper service to the blower fan and muffler could cause a hazardous failure.
5. When replacing the any other part, or any lubricant, always be sure to use only Tanaka products or products which have been certified by Tanaka for use with the Tanaka product.
6. In the event that any part must be replaced or any

▲ 5. For safe operation

maintenance or repair work not described in this manual must be performed, please contact a representative from the store nearest Tanaka authorized servicing dealer for assistance.

7. Do not use any accessory or attachment other than Tanaka recommended by manufacturer.
8. Under no circumstances should you ever take apart the product or alter it in any way. Doing so might result in the product becoming damaged during operation or the product becoming unable to operate properly.

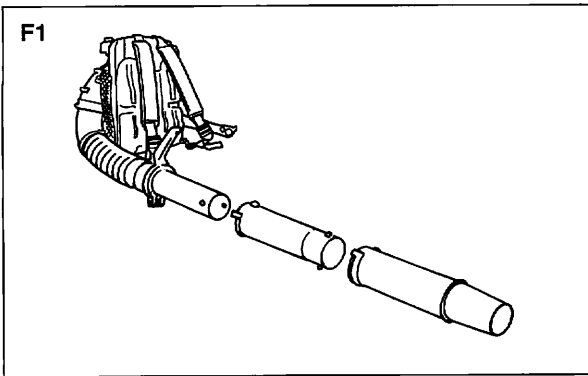
■ TRANSPORTATION

- Drain the fuel from the fuel tank before transporting or storing the blower.
- Secure the unit carefully to prevent movement when it is transported.
- A unit that receives a strong shock during transport and unloading may malfunction.

■ STORAGE

- When storing the blower, choose a space indoors free from moisture and out of the reach of children.

6. Set up

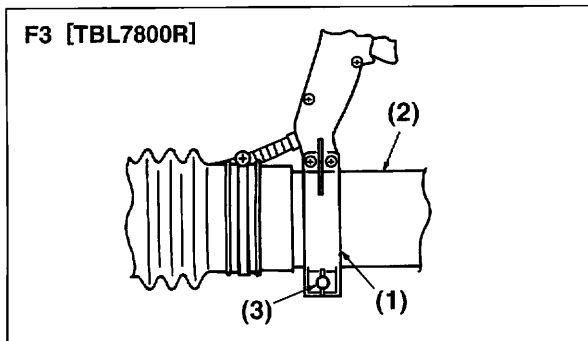
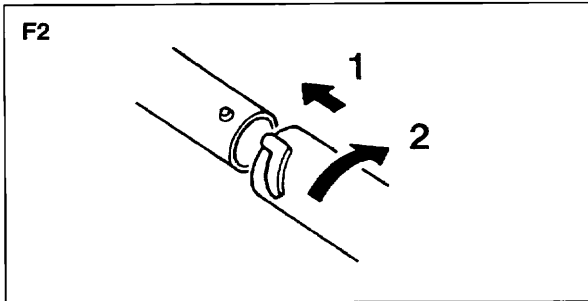


■ BLOWER TUBES

1. Connect the blower and swivel joint with flexible hose. Clamp both ends of the flexible hose securely with the hardware supplied with the unit.
2. Align the protrusion and the groove provided on the tube ends and twist the tube until connection is locked up.

 **NOTE**

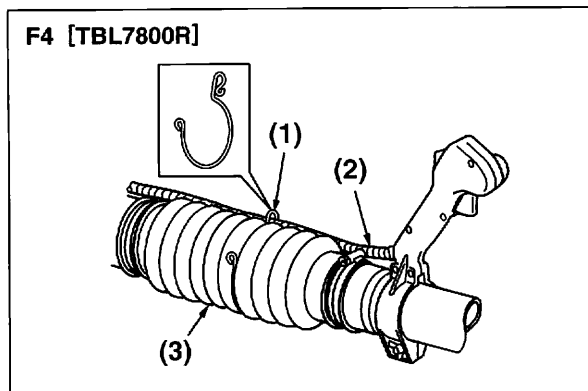
A light lubricant may be used to ease assembly of flexible pipe to blower elbow.



■ THROTTLE LEVER [TBL7800R]

- Set up the clamp to the swivel and tighten the screw on the clamp.

- (1) Clamp
(2) Swivel
(3) Screw



■ THROTTLE CABLE [TBL7800R]

- Use the clamp to fasten the colgate tube containing the throttle cable and the power cable to the hose.

- (1) Clamp
(2) Cable
(3) Hose

7. Fuel

■ FUEL

▲ WARNING



- Gasoline is very flammable. Avoid smoking or bringing any flame or sparks near fuel. Make sure to stop the engine and allow it cool before refueling the unit. Select outdoor bare ground for fueling and move at least 3m (10ft) away from the fueling point before starting the engine.
- The Tanaka engines are lubricated by oil specially formulated for air-cooled 2-cycle gasoline engine use. If Tanaka two-cycle oil is not available, use an anti-oxidant added quality oil expressly labeled for air-cooled 2-cycle engine use. (JASO FC GRADE OIL or ISO EGC GRADE)
- Do not use BIA or TCW (2-stroke water-cooling type) mixed oil.

RECOMMENDED MIXING RATIO GASOLINE 50:OIL 1 (when using Tanaka two-cycle oil)

50:1 MIXING CHART

GASOLINE	gal.	1	2	3	4	5
2-CYCLE OIL	fl.oz	2.6	5.2	7.8	10.4	13

GASOLINE	liter	1	2	3	4	5
2-CYCLE OIL	ml	20	40	60	80	100



- Exhaust emission are controlled by the fundamental engine parameters and components (eq., carburation, ignition timing and port timing) without addition of any major hardware or the introduction of an inert material during combustion.
- These engines are certified to operate on unleaded gasoline.
- Make sure to use gasoline with a minimum octane number of 89 RON (USA/Canada: 87AL)
- If you use a gasoline of a lower octane value than prescribed, there is a danger that the engine temperature may rise and an engine problem such as piston seizing may consequently occur.
- Unleaded gasoline is recommended to reduce the contamination of the air for the sake of your health and the environment.
- Poor quality gasolines or oils may damage sealing

7. Fuel

rings, fuel lines or fuel tank of the engine.

■ HOW TO MIX FUEL

IMPORTANT

Pay attention to agitation.

1. Measure out the quantities of gasoline and oil to be mixed.
2. Put some of the gasoline into a clean, approved fuel container.
3. Pour in all of the oil and agitate well.
4. Pour in the rest of gasoline and agitate again for at least one minute. As some oils may be difficult to agitate depending on oil ingredients, sufficient agitation is necessary for the engine to last long. Be careful that, if the agitation is insufficient, there is an increased danger of early piston seizing due to abnormally lean mixture.
5. Indicate the contents on outside of container for easy identification. To avoid mixing up with raw gasoline or other containers.

■ FUELING THE UNIT

1. Untwist and remove the fuel cap.
2. Put fuel into the fuel tank to 80% of the full capacity.
3. Fasten the fuel cap securely and wipe up any fuel spillage around the unit.

WARNING

1. Select bare ground for fueling.
2. Move at least 10feet (3meters) away from the fueling point before starting the engine.
3. Stop the engine and let it cool for few minutes before refueling the unit. At that time, be sure to sufficiently agitate the mixed gasoline in the container.
4. Do not smoke or place hot object near fuel.

7. Fuel

FOR YOUR ENGINE LIFE, AVOID;

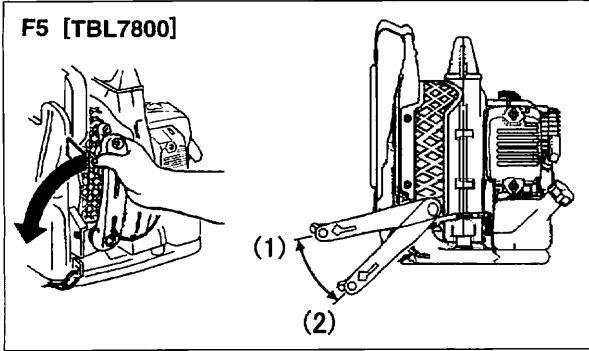
1. FUEL WITH NO OIL(RAW GASOLINE) – It will cause severe damage to the internal engine parts very quickly.
2. GASOHOL – It can cause deterioration of rubber and/or plastic parts and disruption of engine lubrication.
3. OIL FOR 4-CYCLE ENGINE USE – It can cause spark plug fouling, exhaust port blocking, or piston ring sticking.
4. **Mixed fuels which have been left unused for a period of one month or more** may clog the carburetor and result in the engine failing to operate properly.
5. In the case of storing the product for a long period of time, clean the fuel tank after rendering it empty. Next, activate the engine and empty the carburetor of the composite fuel.
6. In the case of scrapping the used mixed oil container, scrap it only at an authorized repository site.



NOTE

As lot details of quality assurance, read Tanaka Limited Warranty carefully. Moreover, normal wear and change in product with no functional influence are not covered by the warranty. Also, be careful that, if the usage in the instruction manual is not observed as to the mixed gasoline, etc. described therein, it may not be covered by the warranty.

8. Operation



■ CONTROL ARM [TBL7800] (F5)

- Hold the upper end of the control arm in hand and, while pulling it away from the unit, rotate arm forward (anti-clockwise as the arrow direction) until it clicks. (The first position)
And if you want, you can rotate arm more forward until it clicks. (The second position)
Choose the arm position according to your working condition.
- To fold the arm, reverse the order.

- (1) The First Position
(2) The Second Position

■ STARTING ENGINE

⚠ IMPORTANT

- **Avoid operating the blower with the flexible tube and swivel joint disconnected. That will reduce the cooling air and the engine could be damaged by overheating.**

1. Push the primer bulb until fuel flows out in the clear tube. (F7)
2. When the engine is cool, close the choke. (F7)

- (1) Choke Lever
(2) Primer Bulb
(3) OPEN
(4) CLOSE

3. [TBL7800R]

Set the ignition switch to the start position. (F8)

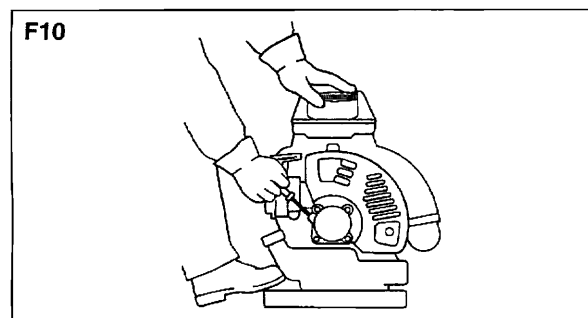
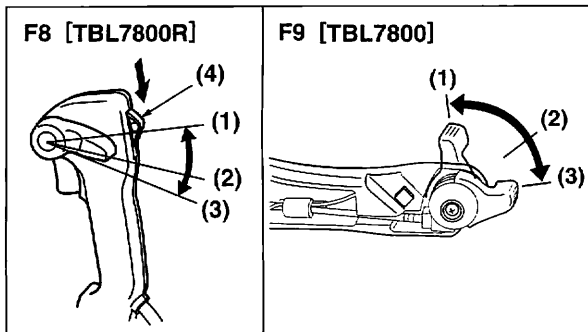
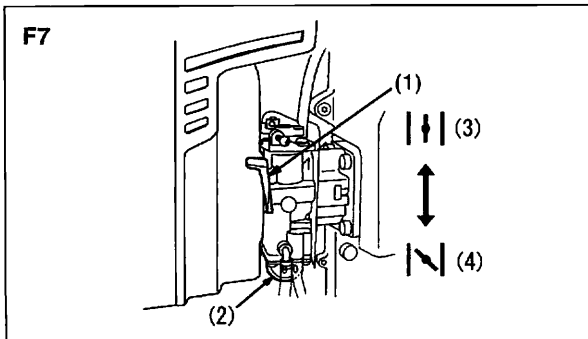
4. Set the throttle lever in about 1/3 open position. (F8)(F9)

- (1) Full Throttle
(2) About 1/3 Open
(3) Idling
(4) Ignition Switch

5. To start, hold the top of the blower firmly with your left hand. Pull the starter knob slowly until you feel it engage and then give it a vigorous strong pull. (F10)

⚠ IMPORTANT

- **Avoid pulling the starter rope out to its full extent and allowing the starter rope to snap back. This will prevent premature damage to the starter.**
- **Do not let a person stand near the blower or the**



8. Operation

exhaust port.

- Once the engine is running, gradually open the choke if it was set closed, and let the engine run at idle speed for a minute to warm it up.

NOTE

When the engine fails to start after several attempts due to overchoking, open the choke and repeat pulling the rope.

■ ADJUSTING IDLE SPEED (F11)

- The idling speed is set for 2000 rpm at the factory. If it is necessary to adjust the idle speed, use the adjustment screw on the top side of carburetor.

(1) Idling Adjustment Screw

■ STOPPING ENGINE

[TBL7800]

- Move the throttle lever to the idling position and press the stop switch (red button). The machine has the mechanism that once the stop button is pushed the plug won't give off sparks until the engine stops. (F12)

(1) Stop Switch

[TBL7800R]

- Move the throttle lever to the idling position and set the ignition switch to the stop position. (F13)

(1) Ignition Switch

NOTE

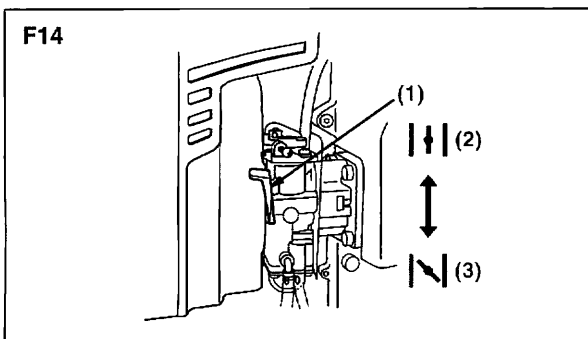
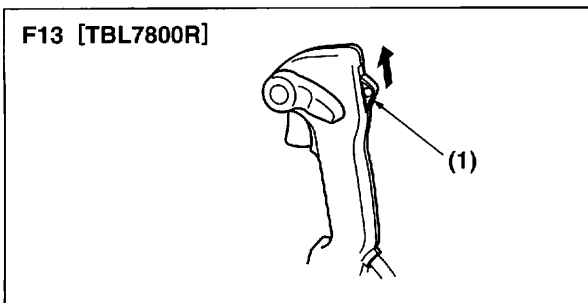
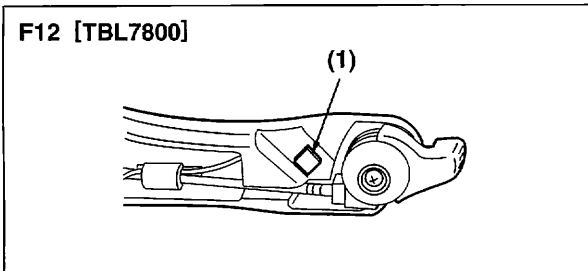
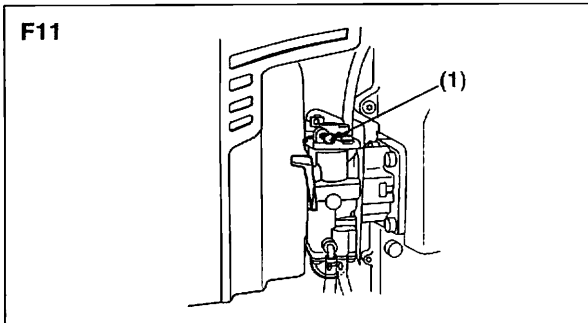
If the engine won't stop when setting the ignition switch to the stop position, close the choke lever and stop the engine.

In this case, please repair the machine at your nearest servicing dealer. (F14)

(1) Choke Lever

(2) OPEN

(3) CLOSE



9. Maintenance

Maintenance, replacement, or repair of the emission control device and systems may be performed by any non-road engine repair establishment or individual.

System/Component	Procedure	Daily or Before use	Every 25 hours after	Every 50 hours after	Every 100 hours after
Air Filter	Inspect/Clean	✓			
Fuel Leaks	Inspect/Replace	✓			
Fuel Filter	Inspect/Replace	✓	✓		
Fuel Line	Inspect/Clean	✓			
Spark Plug	Inspect/Clean		✓		
Muffler	Inspect/Clean	✓			
Muffler Spark Arrester	Inspect/Clean			✓	
Cooling System	Inspect/Clean	✓			
Screws/Nuts/Bolts	Tighten	✓			
Cylinder Exhaust Port	Inspect/Clean				✓

WARNING

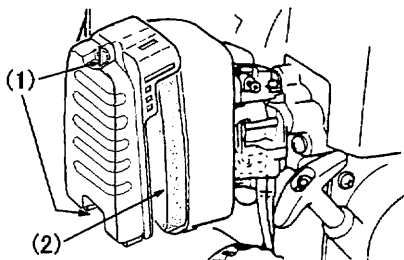
Make sure that the engine has stopped and is cool before performing any service to the blower. Contact with rotating blower fan or hot muffler may result in a personal injury.

■ AIR CLEANER

- Never operate the blower without an air filter or with a deformed or broken filter element because unfiltered dusty air will quickly ruin the engine.
- **Check the air cleaner before use.**
A clogged air filter may increase fuel consumption while cutting down the engine power.
- Never clean a paper filter by striking it with or against another object. The filter may be damaged and resultant dust contamination can diminish engine performance.

9. Maintenance

F15



CLEANING AIR FILTER:

1. Unscrew 2 knob bolts and remove the air cleaner cover. Then remove a air filter mounted inside the air cleaner cover.

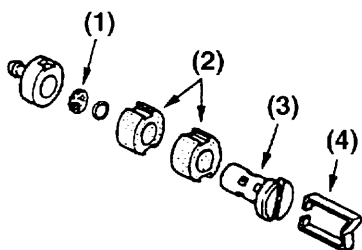
- (1) Knob Bolt
- (2) Air filter

2. Wash the air filter in fresh, non flammable cleaning solution (ex. warm soapy water) and then dry.

▲ WARNING

Saturate the air filter in 2 cycle oil or the equivalent. Squeeze the air filter to distribute the oil completely and to remove any excess oil.

F16

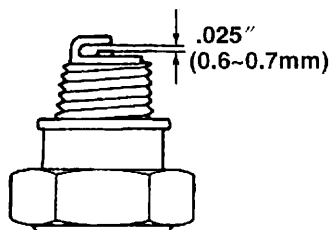


■ FUEL FILTER

- A clogged fuel filter may cause poor acceleration of the engine. Check periodically to see if the filter is clogged with dirt. The filter can be taken out of the fueling port using a small wire hook. Disconnect the filter assembly from the fuel pipe and unhook the retainer to disassemble it. Clean the components with gasoline.

- (1) Screen
- (2) Element
- (3) Holder
- (4) Retainer

F17



■ SPARK PLUG

- The spark plug may gather carbon deposits on its firing end with reasonable use. Remove and inspect the spark plug every 25 hours and clean the electrodes as necessary with a wire brush. The spark gap should be adjusted to .025 in (0.6~0.7mm).
- Plug manufacturers recommend replacing the plug twice a year to avoid unexpected plug failure in a job.
REPLACEMENT PLUG IS A NGK CMR7H OR CHAMPION RZ7C.

9. Maintenance

! IMPORTANT

- Note that using any spark plugs other than those designated may result in the engine failing to operate properly or in the engine becoming overheated and damaged.
- To install the spark plug, first turn the plug until it is finger tight, then tighten it a quarter turn more with a socket wrench.

■ MUFFLER

▲ WARNING

- Inspect periodically, the muffler for loose fasteners, any damage or corrosion. If any sign of exhaust leakage is found, do not use the blower and have it repaired immediately.
- **Note that failing to do so may result in the engine catching on fire.**

! IMPORTANT

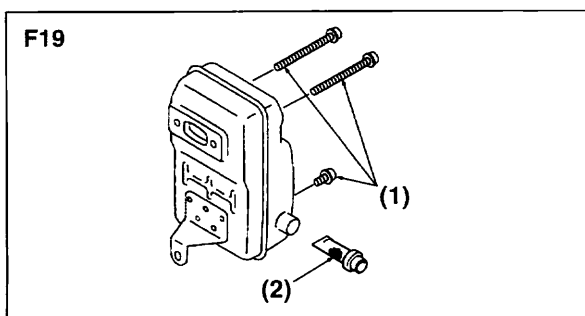
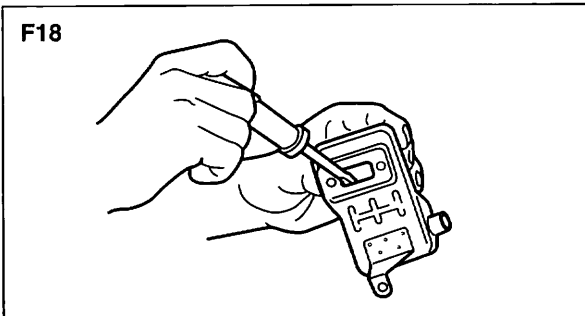
- Before starting operation, always make sure to check if the muffler is properly held by three bolts to the cylinder. (Fastening Torque : 8~12 N·m)
- Even if one bolt out of three bolts is loose, the muffler may get loose during operation which may result in engine catching on fire.

■ PROCEDURES TO BE PERFORMED AFTER EVERY 100 HOURS OF USE

1. Remove the muffler, insert a screwdriver into the vent, and wipe away any carbon buildup. Wipe away any carbon buildup on the muffler exhaust vent and cylinder exhaust port at the same time.
2. Tighten all screws, bolts, and fittings.

■ SPARK ARRESTER

- The muffler is equipped with a spark arrester to prevent red hot carbon from flying out of the exhaust outlet. Periodically inspect and clean as necessary with a wire brush. In the State of California it is required by law (Section 4442 of the California Public Resources Code) to equip a spark arrester when a gas powered tool is used in any forest covered, bush covered, or grass covered unimproved land.



9. Maintenance

- (1) Three Bolts
- (2) Spark Arrester

■ AIR INLET NET

⚠ IMPORTANT

- Blowing air is taken in from the air inlet net. When air flow has dropped down during operation, stop the engine and inspect the air inlet net for blocking by obstacles.
- Note that failure to remove any such obstacles may result in the engine becoming overheated and damaged.

- (1) Net

⚠ WARNING

Never use the blower without the net of the blower. Before each use, check that the net is attached in place and is free from any damage.

■ IGNITION COIL AIR GAP INSPECTION

- If the gap is out of standard or when installing the coil or rotor, adjust the air gap between the ignition coil and the iron core of the rotor.

Air Gap:

0.40mm (0.35 ~ 0.45mm)

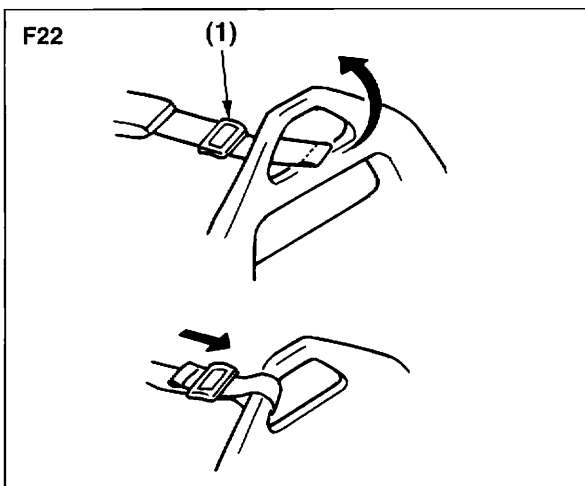
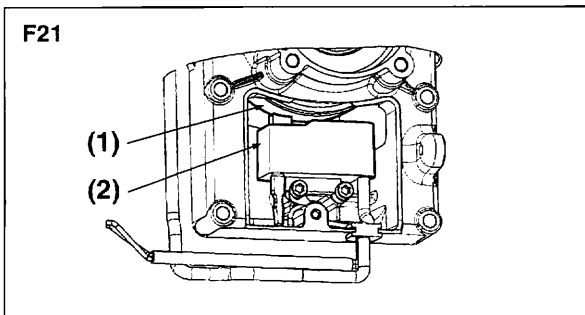
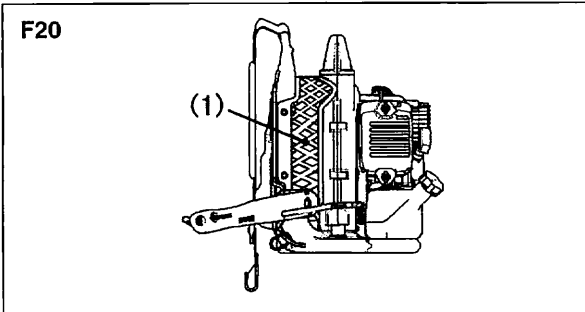
0.016" (0.014 ~ 0.017")

- (1) Rotor
- (2) Ignition coil

■ SHOULDER STRAP

- If the shoulder strap is damaged it may break during use, thus causing the product to fall and resulting in personal injury. Follow the instructions below to replace the shoulder strap with new one.
- Pass the upper end of the strap through the hanger, making the FLAPPED SIDE OUTSIDE.
- Put the end of the strap through the ring on the strap, and then push the ring toward the hanger as close as possible.

- (1) Ring



9. Maintenance

WARNING

The flap on the end of the strap works as a stopper. Never install the strap with the flapped side inside, or the unit may fall from the operator, which could result in injury to the operator and/or damage to the unit.

IMPORTANT

Do not apply liquid type screw lock glue on screws or bolts used to fix plastics components. Adherence of this type of glue may cause cracks on plastics and end up with the breakage.

10. Storage

BEFORE STORING THE BLOWER:

1. Drain a fuel tank and push the primer bulb until it becomes empty of fuel.
2. Remove the spark plug and drop a spoonful of 2-cycle oil into the cylinder. Crank the engine several time and install the spark plug.
3. Store unit in a dry, dust free place, out of the reach of children.

11. Troubleshooting guide

English

Case 1. Starting failure

CHECK	PROBABLE CAUSES	ACTION
fuel tank	→ incorrect fuel	→ drain it and with correct fuel
fuel filter	→ fuel filter is clogged	→ clean
carburetor adjustment screw	→ out of normal range	→ adjust to normal range
sparkling (no spark)	→ spark plug is fouled/wet	→ clean/dry
	→ plug gap is incorrect	→ correct (GAP: 0.6 – 0.7 mm)
spark plug	→ disconnected	→ retighten

Case 2. Engine starts but does not keep running/Hard re-starting.

CHECK	PROBABLE CAUSES	ACTION
fuel tank	→ incorrect fuel or staled fuel	→ drain it and with correct fuel
carburetor adjustment screw	→ out of normal range	→ adjust to normal range
muffler,cylinder (exhaust port)	→ carbon is built-up	→ wipe away
air cleaner	→ clogged with dust	→ wash
cylinder fin, fan cover	→ clogged with dust	→ clean

When your unit seems to need further service, please consult with our service shop in your area.

11. Guide de localisation des pannes

Français

1er cas : Défaut de démarrage

VERIFICATION	CAUSES PROBABLES	ACTION
réservoir de carburant	→ carburant incorrect	→ vidanger et remplacer le carburant
filtre à carburant	→ filtre à carburant colmaté	→ nettoyer
vis de réglage de carburateur	→ déréglé	→ refaire le réglage
allumage	→ bougie sale ou noyée	→ nettoyer ou sécher
	→ Jeu d'électrodes incorrect	→ régler le jeu (de 0,6 à 0,7 mm)
Bougie d'allumage	→ débrancher	→ resserrer

2ème cas : Le moteur démarre mais ne reste pas en marche ou est difficile à redémarrer

VERIFICATION	CAUSES PROBABLES	ACTION
réservoir de carburant	→ carburant incorrect	→ vidanger et remplacer le carburant
vis de réglage de carburateur	→ déréglé	→ refaire le réglage
silencieux, cylindre	→ dépôt de calamine	→ retirer
filtre à air	→ colmaté de poussière	→ nettoyer
ailette de cylindre/flasque de ventilateur	→ colmaté de poussière	→ nettoyer

Si la machine nécessite des opérations d'entretien plus élaborées, contacter le centre de service après-vente le plus proche.

11. Guía de localización y solución de problemas

Español

Caso 1. El motor no arranca

COMPROBAR	POSIBLES CAUSAS	ACCIÓN
Tanque de combustible	→ Combustible incorrecto	→ Vaciar y llenar con el combustible correcto
Filtro de combustible	→ El filtro de combustible está obstruido.	→ Limpiar
Tornillo de ajuste del carburador	→ Fuera del margen normal	→ Ajustar al margen normal
Explosión (no hay chispa)	→ La bujía está sucia/mojada.	→ Limpiar/secar
	→ La distancia interelectrónica es incorrecta	→ Corregir (DISTANCIA INTERELECTRÓNICA: 0,6 – 0,7 mm)
Bujía	→ Desconectada	→ Reajustarlo

Caso 2. El motor arranca pero no se mantiene en marcha./Dificultad para volver a arrancar el motor.

COMPROBAR	POSIBLES CAUSAS	ACCIÓN
Tanque de combustible	→ Combustible incorrecto	→ Vaciar y llenar con el combustible correcto.
Tornillo de ajuste del carburador	→ Fuera del margen normal.	→ Ajustar al margen normal.
Silenciador, cilindro (lumbera de escape)	→ Acumulación de carbón	→ Quitar
Filtro de aire	→ Obstruido con polvo	→ Lavar
Aletas del cilindro, cubierta de ventilador	→ Obstruidas con polvo	→ Limpiar

Si le parece que la unidad necesita otros servicios, consulte nuestro centro de servicio en su área.